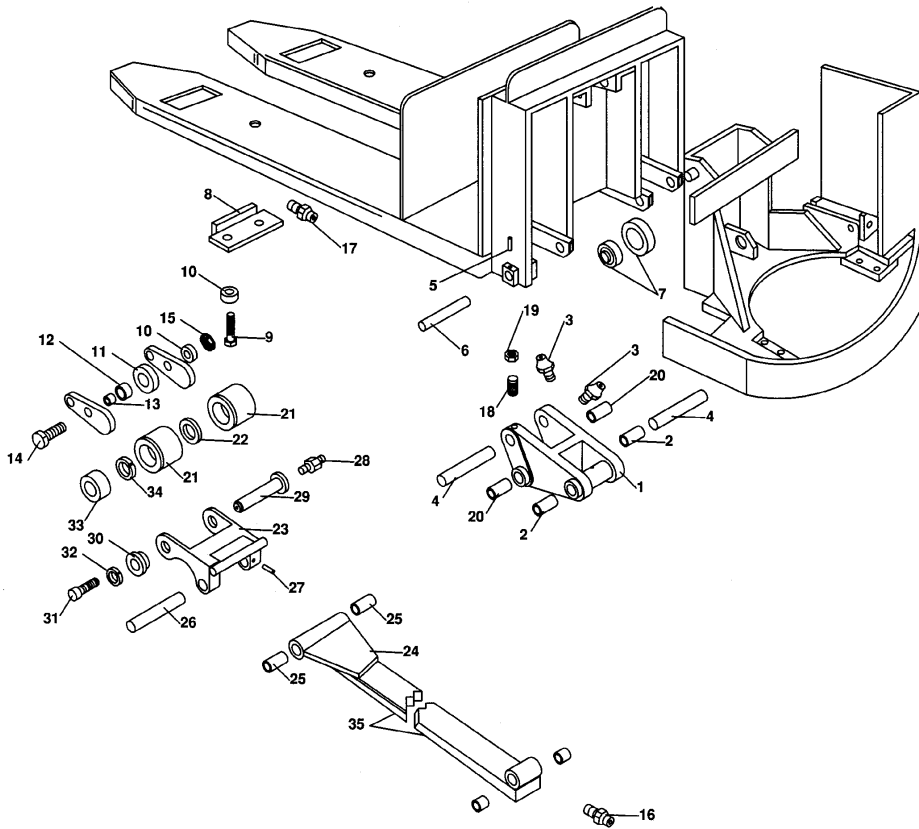




Identify replacement parts for

**Baker PAL, PAL-AR, PAL-WR**



**Baker PAL, PAL-AR, PAL-WR**

Item #	Part #	Description
1	000 774-1033	Toggle
2	000 774-1018	Bushing
3	000 1231-1035	Lube Fitting
4	000 774-1007	Pivot Pin (Standard) 6.560" x .750"
5	000 1218-0824	Roll Pin
6	000 774-1006	Tie Bar to Toggle Pin (Standard) 3.937" x .750"
7	000 1426-5001	Bearing
8	000 774-1036	Shackle Clamp
9	—	Hex Head Capscrew- 3/8-24 x 3/4
10	—	Pallet Entry Wheel Assembly
10	—	Lockwasher- 3/8
11	—	Pallet Entry Wheel
12	000 1430-8404	Bushing
13	—	Entry Wheel Bushing
14	—	Hex Head Capscrew- 3/8-16 x 2
15	—	Hex Nut-3/8-16
16	000 1231-1035	Lube Fitting
17	000 1231-1035	Lube Fitting
18	—	Setscrew-5/16-18 x 3/4
19	—	Self-Locking Hex Nut- 5/16-18
20	—	Battery Roller
21	000 593-2566	Load Wheel-Poly 3-1/4 x 3 (Freezer Corrosion)
21	000 593-2566-S	Load Wheel-Steel 3-1/4x3
21	000 593-1067	Load Wheel-Poly 3-1/4 x 6-3/8 (Freezer Corrosion)
21	000 593-1067-S	Load Wheel-Steel (3-1/4 x 6-3/8)
22	000 774-1084	Spacer
23	000 774-1026	Tie Bar End Assembly
23	000 755-6000	Shackle Assembly
24	000 774-1026	Tie Bar End
25	000 774-1018	Tie Bar to Shackle Bushing
26	000 774-1008	Tie Bar to Shackle Pin (Standard)

Item #	Part #	Description
26	000 757-1050	Tie Bar to Shackle Pin (Freezer Corrosion)
27	000 1218-0824	Roll Pin
28	000 1231-1035	Lube Fitting
29	000 535-1036	Load Wheel Axle Pin (Freezer Corrosion)
29	000 758-1052	Load Wheel Axle Pin (Freezer Corrosion)
30	000 761-1143	Axle End Cap (Standard)
30	000 761-1142	Axle End Cap (Freezer Corrosion)
31	000 1341-1000	Bolt
32	000 1069-1063	Lockwasher
33	000 1426-1564	Load Wheel Bearing (Single & Dual)
34	000 1308-1992	Load Wheel Retaining Ring (Single & Dual)
35	000 760-1041	Tie Bar (8.250" Battery Compartment 22"-44" Pallet Fork)
35	000 760-1041	Tie Bar (13.500" Battery Compartment 24"-38" Pallet Fork)
35	000 760-1042	Tie Bar (8.250" Battery Compartment 57"-80" Pallet Fork)
35	000 760-1042	Tie Bar (13.500" Battery Compartment 51"-74" Pallet Fork)
40	000 1343-1002	Hex Nut
42	000 1430-9405	Tie Bar to Pivot Toggle Bushing
43	000 1069-1064	Fiber washer



**CLASS III TRUCK PARTS**  
Baker



**CLASS III TRUCK PARTS**

Baker replacement parts

**000 760-1041**

1



**PULL ROD**

Overall Length ..... 49.000"

**000 760-1042**

2



**PULL ROD**

Overall Length ..... 97.750"

**000 760-1044**

3



**PULL ROD**

Overall Length ..... 47.625"

**000 774-1086**

4



**PULL ROD**

Overall Length ..... 60.750"

**000 757-4064**

5



**TIE BAR TO SHACKLE PIN**

Overall Length ..... 6.430"  
O.D. .... .930"

**000 541-1005**

6



**INNER RING**

**000 541-1006**

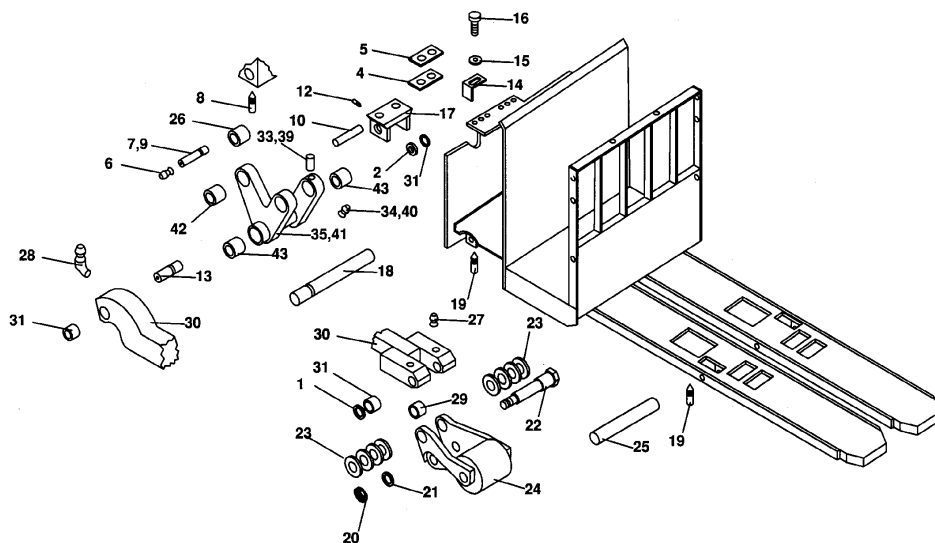
7



**OUTER RING**

Identify lift linkage parts for

Caterpillar NPC, NPP, NPV



LIFT LINKAGE

Item #	Part #	Description
1	000 762-1045	Spacer
2	—	Washer
3	000 1308-1000	Snap Ring
4	000 790-2864	Pivot Cylinder Shim 1/8
5	000 790-2863	Pivot Cylinder Shim 1/4
6	000 1231-1035	Lube Fitting
7	000 758-1130	Truck Link Shaft 24"
8	—	Set Screw 5/16"-18 x 5/8"
9	000 758-1138	Truck Link Shaft 22"/27"
10	000 757-1157	Cylinder Pivot Pin
11	—	Fork and Platform Weldment
12	—	Set Screw 1/4"-20 x 1/2"
13	000 758-1029	Rear Link Shaft
14	—	Switch Actuator
15	000 1062-0008	Lockwasher
16	—	Hex Head Cap Screw 1/2"-13 x 1-1/4"
17	000 758-1029	Clevis Machining
18	000 758-1131	Rear Fork Shaft
19	000 1183-1102	Screw
20	—	Hex Nut 5/8"-18"
21	—	Lockwasher 5/8"
22	000 791-2713	Eccentric Pin
23	—	Washer
24	See Page 7.6	Load Wheel Assembly (Single Wheel)

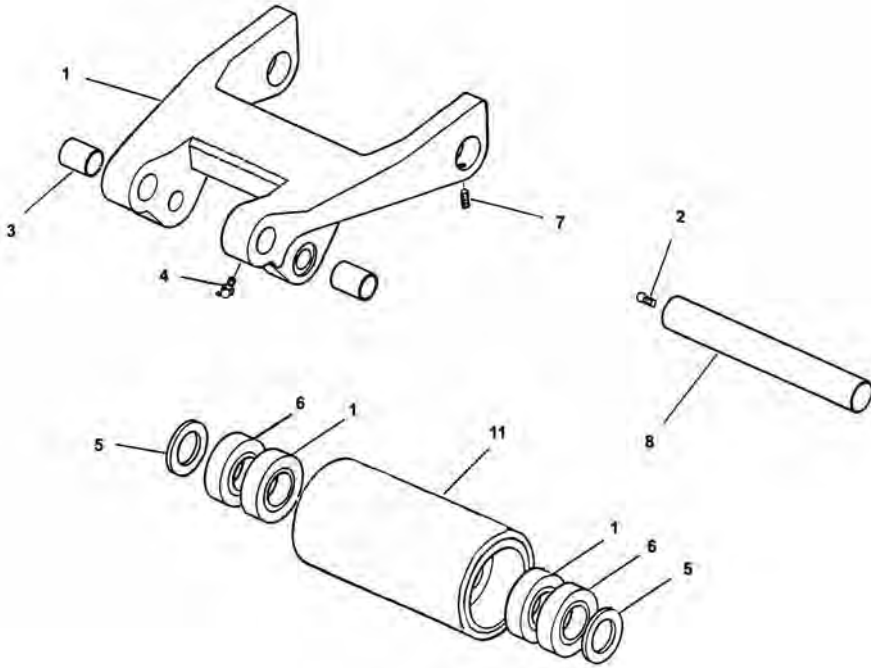
Item #	Part #	Description
25	000 758-1136	Front Fork Shaft
26	000 1431-4086	Bushing
27	000 1231-1035	Lube Fitting
28	000 1232-4500	Lube Fitting
29	000 1431-4086	Bushing
30	—	Pull Rod
31	000 1431-4067	Bushing
32	—	Pull Rod Sub-Assembly (includes 26-31)
33	000 1183-1102	Set screw
34	000 1232-4500	Lube Fitting
35	000 763-1010	Bellcrank LH
36	000 1431-4089	Bushing
37	000 1431-4087	Bushing
38	000 763-1046	Bellcrank Sub-Assembly LH
39	000 1183-1102	Set screw
40	000 1232-4500	Lube Fitting
41	000 763-1011	Bellcrank RH
42	000 1431-4089	Bushing
43	000 1431-4087	Bushing
44	000 763-1047	Bellcrank Sub-Assembly RH
45	—	Fork and Platform Assembly
46	—	Fork and Platform Assembly



CLASS III TRUCK PARTS  
Caterpillar



**Identify single load wheel assembly parts for  
Caterpillar NPP, NPV, NPC**



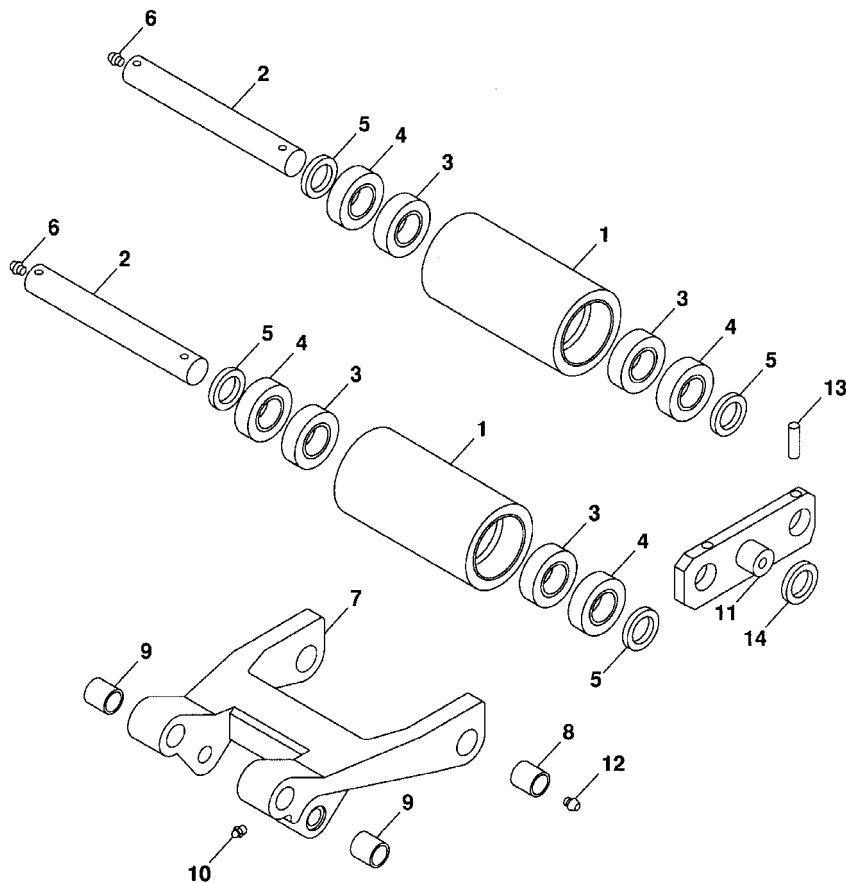
**SINGLE LOAD WHEEL ASSEMBLY**

Item #	Part #	Description
1	000 1426-1424	Bearing
2	000 1231-1035	Lube Fitting
3	—	Bushing
4	000 1232-4500	Lube Fitting
5	000 1069-1060	Flatwasher
6	000 1426-1633	Bearing

Item #	Part #	Description
7	000 1217-1056	Roll Pin
8	000 758-1118	Wheel Shaft
11	—	Poly Wheel (Yellow-Soft)
11	000 593-1318-HL	Poly Wheel (Hyload)
11	000 593-1318	Poly Wheel (Standard)
12	000 763-1042	Riser Kit



Identify tandem load wheel assembly parts for  
Caterpillar NPC, NPP, NPV



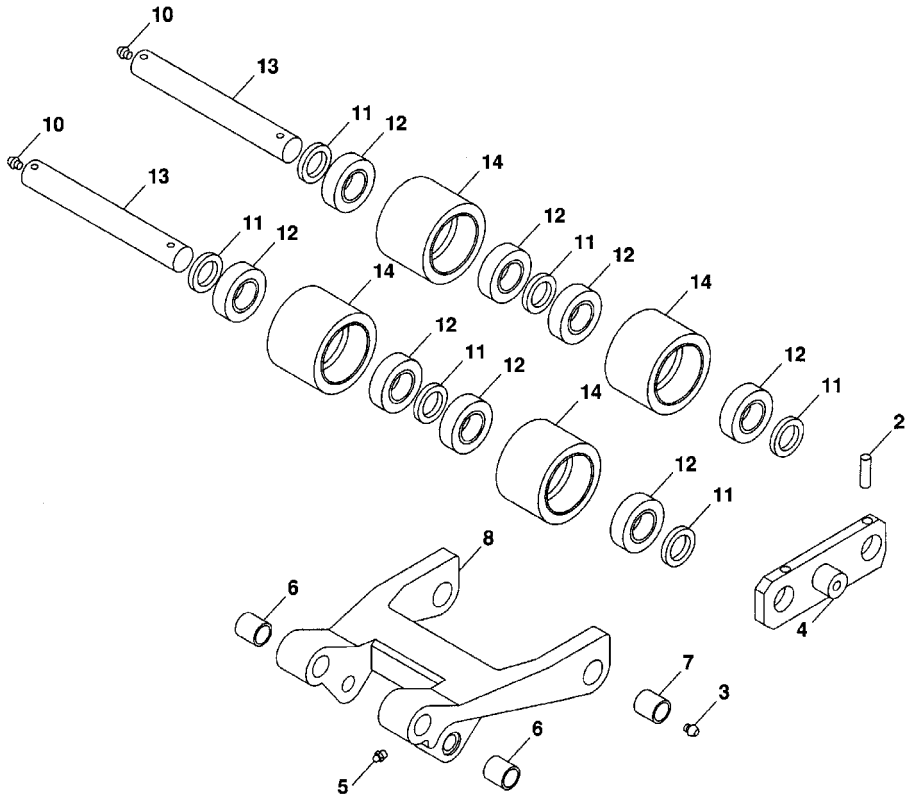
TANDEM LOAD WHEEL ASSEMBLY

Item #	Part #	Description
1	—	Poly Wheel (Yellow-Soft)
1	—	Poly Wheel (Tan-Medium)
1	—	Poly Wheel (Black-Hard)
1	—	Poly Wheel (Tan-Hard)
2	000 758-1236	Wheel Shaft
3	000 1426-1424	Bearing
4	000 1426-1633	Bearing
5	000 1069-1060	Washer
6	000 1231-2084	Lube Fitting

Item #	Part #	Description
7	000 763-1044	Riser Assembly
8	000 1431-4089	Bushing
9	000 1432-1000	Bushing
10	000 1232-4500	Lube Fitting
11	000 767-1009	Tandem Pivot Weldment
12	000 1231-2084	Lube Fitting
13	000 1218-0824	Roll Pin
14	000 762-1045	Spacer



Identify split tandem load wheel assembly parts for  
Caterpillar NPC, NPP, NPV



SPLIT TANDEM LOAD WHEEL ASSEMBLY

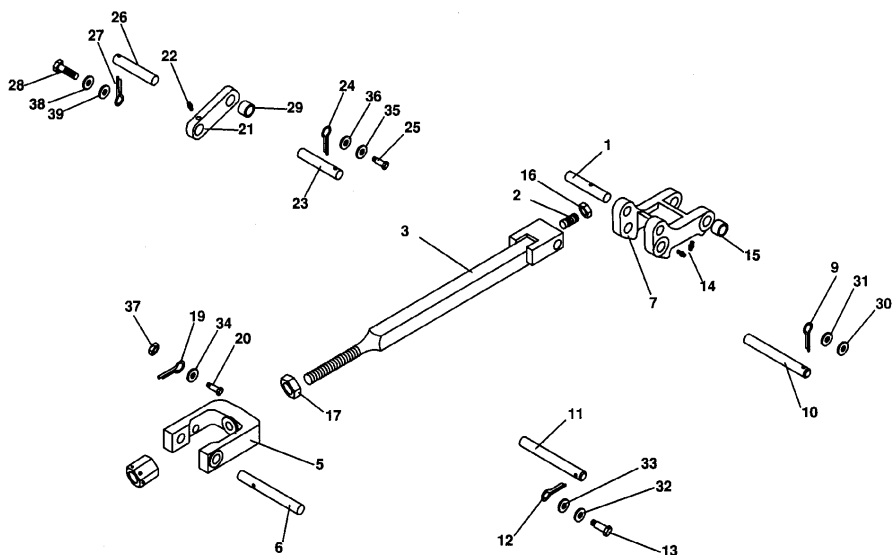
Item #	Part #	Description
1	000 1069-1060	Washer
2	000 1218-0824	Roll Pin
3	000 1231-2084	Lube Fitting
4	000 767-1006	Tandem Pivot Weldment
5	000 1232-4500	Lube Fitting
6	000 1432-1000	Bushing
7	000 1431-4089	Bushing
8	000 763-1044	Riser Assembly
10	000 1231-2084	Lube Fitting

Item #	Part #	Description
11	000 1069-1060	Washer
12	000 1426-1633	Bearing
13	—	Wheel Shaft (s/n 2H00593 to 2HL00721)
13	—	Wheel Shaft (s/n 2HL00722 & Up)
14	—	Poly Wheel (Tan-Medium)
14	000 593-1317	Poly Wheel (Standard)



Identify lift linkage parts for

Clark HWD565 & PWD565



LIFT LINKAGE

Item #	Part #	Description
1	000 757-1097	Pull Rod Pivot Pin (Model 36)
1	000 761-1019	Pull Rod Pivot Pin (Model 25-30)
2	—	Pull Rod Pivot Screw
2	—	Pull Rod Pivot Screw (Model 36)
3	000 760-1061	Pull Rod
4	—	Hex Nut
5	000 756-1010	Pull Rod Clevis
6	000 761-1020	Pull Rod Clevis Pin
7	000 759-1037	Lower Link
8	000 757-1029	Lower Link Pivot Pin
9	—	Retainer
10	—	Capscrew
11	000 757-1029	Lower Link Pivot Pin
12	—	Retainer
13	—	Capscrew
14	—	Lube Fitting
15	000 1430-9398	Bushing
16	—	Lock Nut
17	007 8D16	Lock Nut
18	—	Pull Rod Adjusting Nut
19	—	Retainer

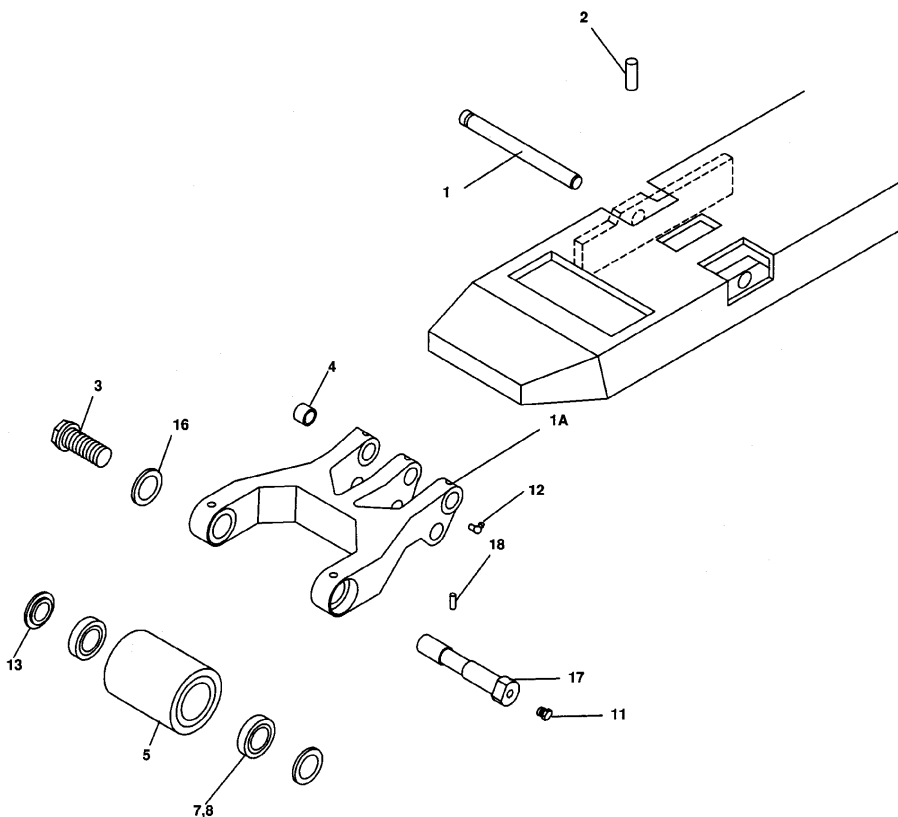
Item #	Part #	Description
20	—	Capscrew
21	—	Upper Link
22	—	Lube Fitting
23	000 757-4038	Upper Link Fork Pin
24	—	Retainer
25	—	Capscrew
26	000 757-4039	Upper Link Frame Pin
27	—	Retainer
28	—	Capscrew
29	000 1430-9398	Bushing
30	000 1062-0005	Lockwasher
31	—	Washer
32	000 1062-0005	Lockwasher
33	—	Washer
34	—	Washer
35	000 1062-0005	Lockwasher
36	—	Washer
37	—	Washer
38	000 1062-0005	Lockwasher
39	—	Washer





Identify single load wheel parts for

Clark HWD565 & PWD565



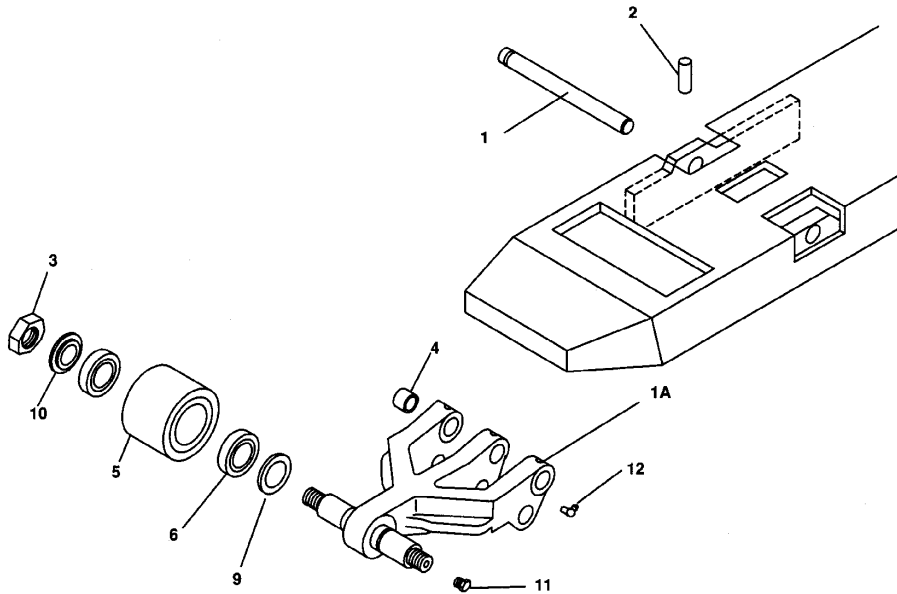
SINGLE LOAD WHEEL

Item #	Part #	Description
1	000 757-1196	Load Wheel Bracket Pivot Pin (Model 36) 8.850" x .750"
1	000 757-1033	Load Wheel Bracket Pivot Pin (Model 25-30) 8.850 x .750"
1A	000 763-1075	Lift Bracket
2	—	Retainer
3	000 1026-0012	Hex Nut
4	000 1430-9398	Bushing
5	000 593-9109	Poly Load Wheel
7	000 1426-1708	Inner Bearing

Item #	Part #	Description
8	000 1426-1424	Outer Bearing
11	000 1231-1083	Lube Fitting
12	—	Lube Fitting
13	000 761-1090	Shield
14	—	Capscrew
15	—	Retainer
16	—	Washer
17	000 758-1232	Axle (Standard)
17	000 758-1040	Axle (Freezer Corrosion)
18	000 1218-0620	Roll Pin

Identify dual load wheel parts for

Clark HWD565 & PWD565



DUAL LOAD WHEEL

Item #	Part #	Description
1	000 757-1033	Pivot Pin (Model 25-30) 8.850" x .750"
1	000 757-1196	Pivot Pin (Model 36) 8.850" x .750"
1A	000 763-1075	Lift Bracket
1A	—	Lift Bracket (Model 36)
2	—	Retainer
3	000 1026-0012	Nut
4	000 1430-9398	Bushing

Item #	Part #	Description
5	007 2777940	Poly Load Wheel (Dual Wheel)
6	000 1426-1708	Bearing
9	000 762-1225	Inner Bearing Shield
10	000 493-9190	Outer Bearing Shield
11	000 1231-1083	Lube Fitting
12	—	Lube Fitting
14	—	Capscrew
15	—	Retainer

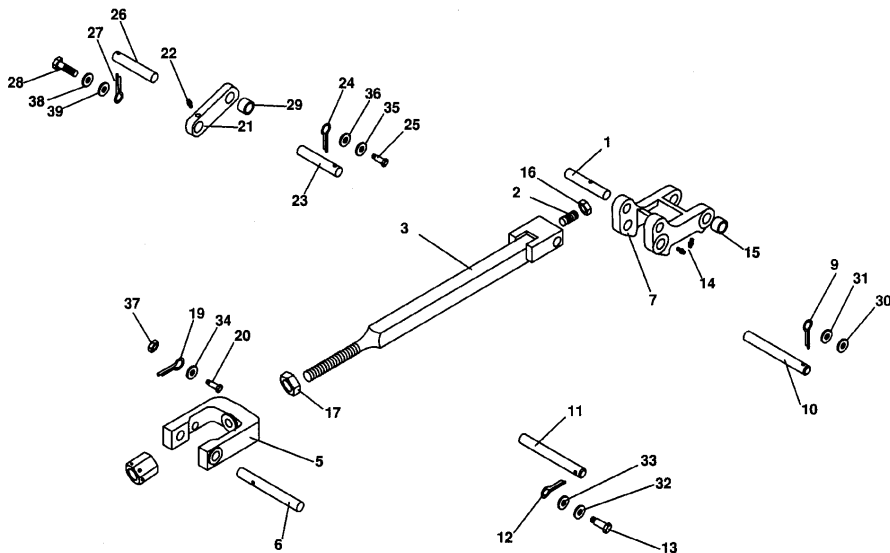


CLASS III TRUCK PARTS Clark



Identify lift linkage parts for

Clark HWD566 & PWD566



LIFT LINKAGE

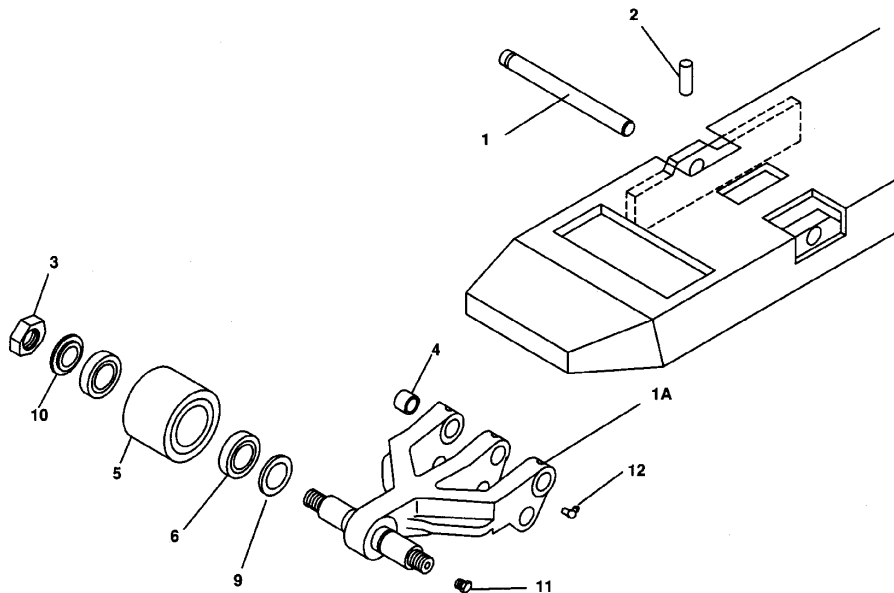
Item #	Part #	Description
1	000 758-1217	Pull Rod Pivot Pin
2	—	Fastener
3	000 760-1061	Pull Rod
4	—	Lock Nut
5	000 756-1022	Pull Rod Clevis
6	000 761-1018	Pull Rod Clevis Pin
7	000 763-1076	Lift Bracket
8	000 757-1029	Lower Lifting Link Pivot Pin (Model 30)
8	000 757-1216	Lower Lifting Link Pivot Pin (Model 40) 7.370" x .750"
9	—	Retainer
10	—	Fastener
11	000 757-1029	Lower Lifting Link Pivot Pin (Model 30)
11	000 757-1216	Lower Lifting Link Pivot Pin (Model 40)
12	—	Retainer
13	—	Fastener
14	000 1231-1083	Lube Fitting
15	000 1430-9373	Bushing
18	—	Pull Rod Adjusting Nut

Item #	Part #	Description
19	—	Retainer
20	—	Fastener
21	000 759-1059	Upper Fork Lifting Link
22	—	Lube Fitting
23	000 757-1038	Upper Fork Lifting Link Pin
24	—	Retainer
25	—	Fastener
26	000 757-4039	Upper Frame Lifting Link Pin
27	—	Retainer
28	—	Fastener
29	000 1430-9398	Bushing
30	000 1062-0005	Lockwasher
31	—	Washer
32	000 1062-0005	Lockwasher
33	—	Washer
34	—	Washer
35	000 1062-0005	Lockwasher
36	—	Washer
37	—	Washer
38	000 1062-0005	Lockwasher
39	—	Washer



Identify dual load wheel parts for

Clark HWD566 & PWD566



DUAL LOAD WHEEL

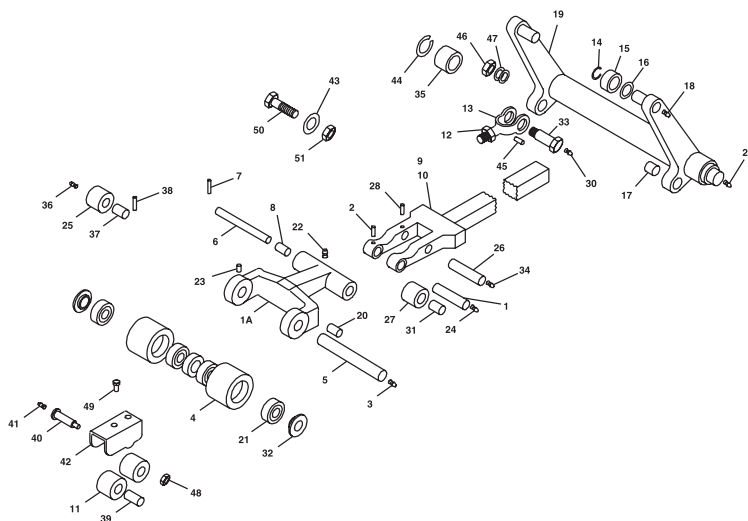
Item #	Part #	Description
1	000 757-1033	Load Wheel Bracket Pivot Pin (Model 30) 8.850" x .750"
1	000 757-1196	Load Wheel Bracket Pivot Pin (Model 40) 8.850" x .750"
1A	000 763-1076	Lift Bracket
2	—	Retainer
3	000 1026-0012	Fastener
4	0001430-9373	Bushing (Model 30)
4	—	Bushing (Model 40)

Item #	Part #	Description
5	000 593-5081	Poly Load Wheel
6	000 1426-1708	Bearing
9	000 1069-1062	Load Wheel Shield
10	000 493-9190	Dust Shield
11	000 1231-1083	Lube Fitting
12	000 1231-2015	Lube Fitting
14	—	Cap screw
15	—	Retainer



Identify double trail wheel linkage parts for

Clark HWP465



DOUBLE TRAIL WHEEL LINKAGE

Item #	Part #	Description
1	000 757-1021	Pull Rod Pivot Pin
1A	000 763-1006	Lift Bracket
2	—	Roll Pin
3	—	Lube Fitting
4	000 593-2570	Poly Wheel
5	000 759-1008	Axle (7.500" x .984")
6	000 758-1021	Bracket Pivot Pin
7	000 1218-1277	Roll Pin
8	000 1430-9388	Bushing
9/10	Call Tech Support	Pull Rod
11	000 1428-5240	Roller
12	007 8-D-16	Lock Nut
13	000 756-1014	Pull Rod Clevis
14	—	Snap Ring
15	000 1427-4120	Bearing
16	007 619553	Washer
17	007 2770679	Bushing
18	000 1231-1035	Lube Fitting
19	000 761-1141	Tube & Lever Assembly
20	007 2389999	Bushing
21	000 1426-1424	Inner Load Wheel Bearing
22	000 1231-2015	Lube Fitting
23	—	Roll Pin
24	—	Lube Fitting
25	000 1428-5240	Roller
26	000 758-1276	Pin

Item #	Part #	Description
27	000 1428-5240	Roller
28	—	Roll Pin
29	000 1231-1035	Lube Fitting
30	000 1232-3015	Lube Fitting
31	000 1430-9398	Bushing
32	000 761-1090	Seal
33	000 1086-8128	Pin
34	—	Lube Fitting
35	000 1427-3010	Bearing
36	000 1231-2085	Lube Fitting
37	000 1430-9398	Bushing
38	—	Pin
39	000 1430-9398	Bushing
40	007 2390047	Axle (3.210" x .750")
41	—	Lube Fitting
42	000 763-1074	Entry Roller Bracket
43	—	Washer
44	000 1308-1029	Snap Ring
45	—	Pin
46	—	Nut
47	—	Washer
48	—	Nut
49	—	Capscrew
50	—	Capscrew
51	—	Nut

Lift Truck Parts Professionals



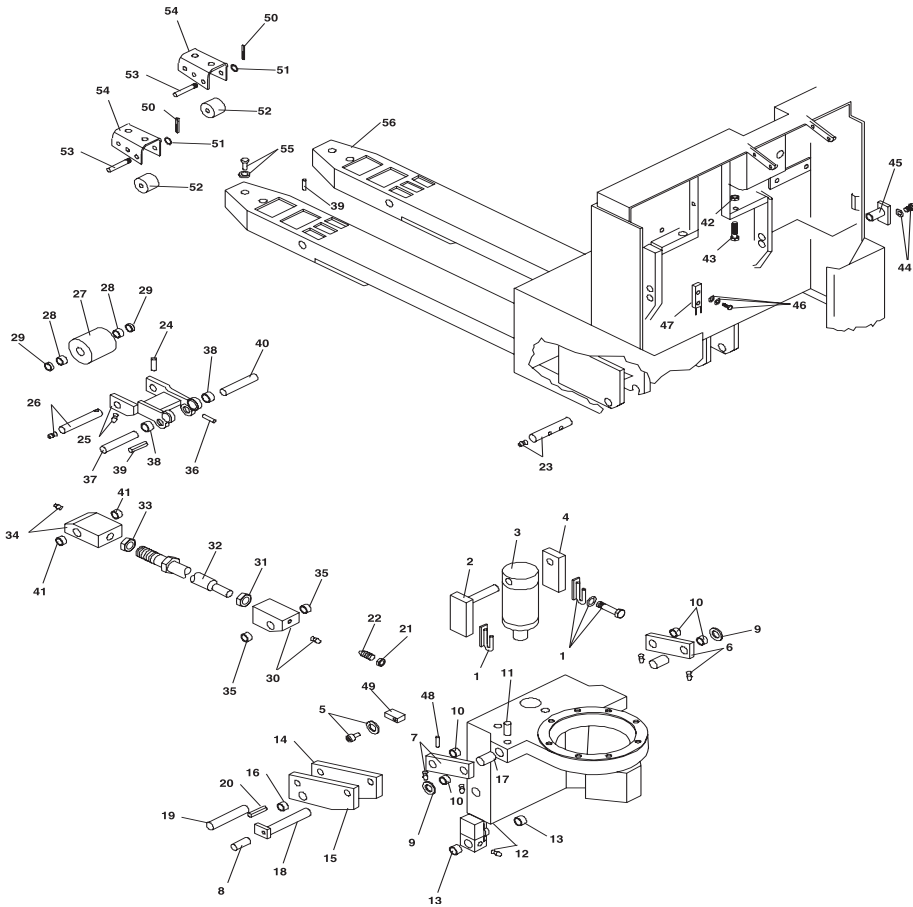
**CLASS III TRUCK PARTS** Clark replacement parts

<p><b>000 760-1039</b></p> <p>1</p>  <p><b>PULL ROD</b> Overall Length . . . . . 37.250"</p>	<p><b>000 612-1020</b></p> <p>2</p>  <p><b>PULL ROD</b> Overall Length . . . . . 37.000"</p>	<p><b>000 757-4065</b></p> <p>3</p>  <p><b>PIN</b> Overall Length . . . . . 4.380" O.D. . . . . .750"</p>
<p><b>000 493-9186</b></p> <p>4</p>  <p><b>LOAD WHEEL DUST COVER</b></p>	<p><b>000 759-1059</b></p> <p>5</p>  <p><b>UPPER LINK</b></p>	<p><b>000 757-4073</b></p> <p>6</p> <p><b>NEW</b> Catalog Item!</p>  <p><b>ENTRY ROLLER PIN</b> Overall Length . . . . . 5.090" O.D. . . . . .7500"</p>
<p><b>000 759-1059</b></p> <p>7</p> <p><b>NEW</b> Catalog Item!</p>  <p><b>UPPER LINK</b> Overall Length . . . . . 5.090" O.D. . . . . .7500"</p>	<p><b>000 760-1061</b></p> <p>8</p> <p><b>NEW</b> Catalog Item!</p>  <p><b>PULL ROD</b> Overall Length . . . . . 5.090" O.D. . . . . .7500"</p>	<p><b>000 761-1160</b></p> <p>9</p> <p><b>NEW</b> Catalog Item!</p>  <p><b>ENTRY ROLLER</b> Overall Length . . . . . 5.090" O.D. . . . . .7500"</p>



Identify lift linkage parts for

Crown 40 GPW 4-14



## Crown 40 GPW 4-14

### LIFT LINKAGE

Item #	Part #	Description
1	000 763-1001	Bracket
1	—	Screw M12
1	—	Lockwasher
2	000 758-1002	Shaft (Standard)
2	000 758-1198	Shaft (Freezer Corrosion)
3	—	Lift Cylinder
	000 894-2130	Lift Cylinder Seal Kit
4	000 763-1000	Mount Block
5	—	Lockwasher
5	—	Screw M3
6	000 759-1003	Link
6	000 1231-1035	Lube Fitting
7	000 759-1002	Link
7	000 1231-1035	Lube Fitting
8	000 758-1005	Shaft (Standard)
8	000 758-1204	Shaft (Freezer Corrosion)
9	—	Flatwasher
10	000 1431-1718	Bushing
11	000 1218-1290	Roll Pin
12	—	Support Caster 27" (685mm) Fork Spread"
12	000 1231-1035	Lube Fitting
12	—	Support Caster 21.3" (540mm) Fork Spread
12	—	Support Skid Bar 27" (685mm) Fork Spread
12	—	Support Skid Bar 21.3" (540mm) Fork Spread
13	000 1430-9026	Bushing
14	000 759-1005	Link
15	000 759-1004	Link
16	000 1430-2225	Bushing
17	—	Screw
17	—	Lockwasher
18	000 758-1004	Shaft (Standard)
18	000 758-1152	Shaft (Freezer Corrosion)
19	002 42215	Shaft (Standard)
19	000 758-1148	Shaft (Freezer Corrosion)
20	000 1218-1278	Roll Pin
21	—	Nut
22	—	Set Screw
23	002 42190	Shaft (Standard)
23	000 758-1151	Shaft (Freezer Corrosion)
23	000 1231-1035	Lube Fitting
24	000 1218-0828	Roll Pin
25	000 763-1002	Riser
25	—	Lube Fitting
26	000 1231-1035	Lube Fitting

Item #	Part #	Description
26	002 42203	Load Wheel Axle (Standard)
26	000 758-1154	Load Wheel Axle (Freezer Corrosion)
27	000 593-1051	Load Wheel Poly (Standard)
28	000 1426-1634	Load Wheel Bearing
29	000 762-1029	Spacer (Standard)
29	—	Spacer (Freezer Corrosion)
30	000 760-1003	Tension Bar End
30	000 1231-1035	Lube Fitting
31	—	Hex Nut LH
32	Call Tech Support	Tension Bar (Includes Items 22-27)
32	000 760-1002	Tension Bar (36" Pallet)
32	000 760-1016	Tension Bar (48" Pallet)
33	—	Hex Nut RH
34	000 760-1001	Tension Bar End
34	000 1231-1035	Lube Fitting
35	000 1430-2225	Bushing
36	000 1218-0828	Roll Pin
37	002 42214	Shaft (Standard)
37	000 758-1147	Shaft (Freezer Corrosion)
38	000 1431-1720	Bushing
39	000 1218-0828	Roll Pin
40	002 42213	Shaft (Standard)
40	000 758-1153	Shaft (Freezer Corrosion)
41	002 42053-009	Bushing
42	—	Nut
43	—	Screw M12
44	—	Screw
44	—	Lockwasher
45	000 758-1285	Shaft (Standard)
45	000 758-1203	Shaft (Freezer Corrosion)
46	GP-1396	Lockwasher
46	—	Screw
46	—	Flatwasher
47	—	Actuator Switch
48	000 1218-1284	Roll Pin
49	000 393-2160/ 000 393-2172	Push Button Switch
50	000 1084-0312	Cotter Pin
51	002 73467	Flatwasher
52	000 585-1003	Booster Wheel
53	000 758-1123	Booster Wheel Axle
54	—	Housing Wheel
55	—	Screw
55	—	Lockwasher
56	—	Frame



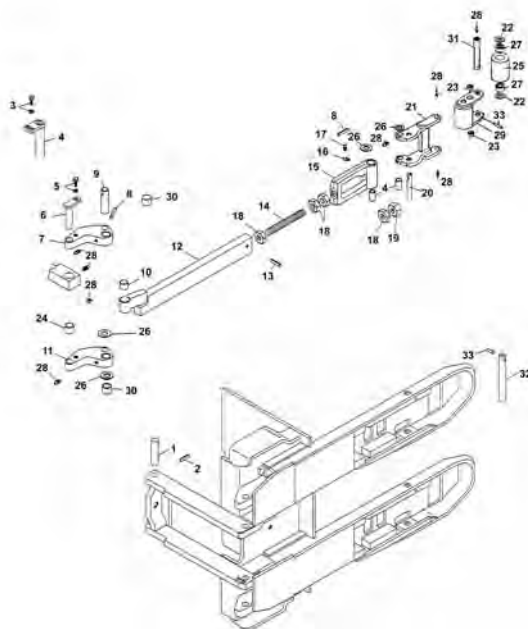
**CLASS III TRUCK PARTS**  
Crown





Identify lift linkage parts for

Crown PC3520-60

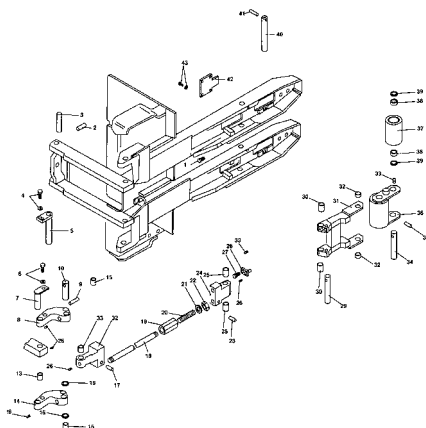


Item #	Part #	Description
1	000 757-1072	Pin 2.690" x .750"
2	000 1218-0824	Roll Pin
3	002 60005-009	Lockwasher
3	000 1000-06016	Screw
4	000 758-1112	Axle (7.300" x 1.000")
5	002 60005-009	Lockwasher
5	000 1000-06016	Screw
6	000 757-1024	Shaft
7	000 759-1033	Inboard Link (includes bushing)
8	—	Roll Pin
9	000 758-1061	Axle
10	000 1430-9029	Bushing
11	000 759-1032	Outboard Link (includes bushing)
12	Call Tech Support	Tension Bar (includes bushing)
13	—	Roll Pin
14	000 760-1013K	Tenon Kit-6.69/7.94" Battery
14	000 760-1014K	Tenon Kit-13.19" Battery
15	000 760-1008	Tension Bar End (includes bushing)
16	000 1231-1035	Lube Fitting
17	—	Lube Fitting

Item #	Part #	Description
18	000 1026-1015	Jam Nut
18	—	Adhesive Threadlocker
19	000 1051-0008	Nut
19	—	Adhesive Threadlocker
20	000 758-1026	Axle
21	000 763-1025	Riser w/bushings
22	000 1069-1054	Flatwasher
23	—	Bearing Race
24	000 1430-9027	Bushing
25	000 593-1058	Load Wheel (Poly)
25	—	Load Wheel Assembly (includes bearing)
26	000 1069-1054	Flatwasher
27	000 1426-1633	Bearing
28	000 1231-1035	Lube Fitting
29	000 889-5817	Side Plate Assembly (includes bushing)
30	000 1430-9028	Bushing
31	000 758-1084	Axle
32	000 758-1024	Axle
33	000 1218-0832	Roll Pin

Identify lift linkage parts for

Crown PE3520-60



Item #	Part #	Description
1	000 1169-1000	Screw
1	—	Lockwasher
2	—	Cover
3	000 1218-0824	Roll Pin
4	000 758-1083	Shaft
5	000 1069-1054	Flatwasher
6	000 1426-1633	Load Wheel Bearing
7	000 593-1033HL	Load Wheel (Poly)
7	000 593-1033-C	Load Wheel Assembly (Poly)
8	000 889-1010	Side Plate
9	000 1217-1056	Roll Pin
10	000 758-1078	Load Wheel Axle
11	000 1231-1035	Lube Fitting
12	—	Load Wheel Bushing
13	000 763-1038	Riser
14	000 1430-11417	Bushing
15	000 758-1193	Shaft
16	000 757-4056	Pin
17	—	Screw 1/4"
18	000 1231-1035	Lube Fitting
19	000 1430-9029	Bushing
20	000 760-1019	Tension Bar End w/o bushings
20	000 760-1018	Tension Bar End w/o bushings
20	000 760-1023	Tension Bar End-18"/ 27" Fork Spread
20	000 760-1020	Tension End Bar-22" Fork Spread
21	000 1218-0824	Roll Pin
22	000 1026-0014	Nut
23	—	Lockwasher
24	000 760-1026	Threaded Rod
24	—	Adhesive Threadlocker

Item #	Part #	Description
25	—	Nut Special
26	Call Tech Support	Tension Bar
27	000 1218-0824	Roll Pin
28	000 1069-1054	Flatwasher
29	000 1430-9028	Bushing
30	000 759-1022	Link-Outboard
31	000 1430-9027	Bushing
32	000 760-1021	Tension Bar End-Left 18" Fork Spread & Right 27" Fork Spread
32	000 760-1022	Tension Bar End-22" Fork Spread
32	—	Tension Bar End-Right 18" Fork Spread & Left 27" Fork Spread
33	000 1430-9029	Bushing
34	000 758-1061	Axle
35	—	Roll Pin
36	000 759-1023	Link-Inboard
37	000 757-1024	Shaft
38	002 60005-009	Lockwasher
38	000 1000-06016	Screw 3/8"
39	000 758-1112	Axle (7.300" x 1.000")
40	002 60005-009	Lockwasher
40	000 1000-06016	Screw 3/8"
41	000 757-1083	Pin 2.690" x .750"
42	000 1218-0824	Roll Pin
43	—	Nut
43	002 60005-009	Lockwasher
43	—	Screw 3/8"
43	—	Flatwasher

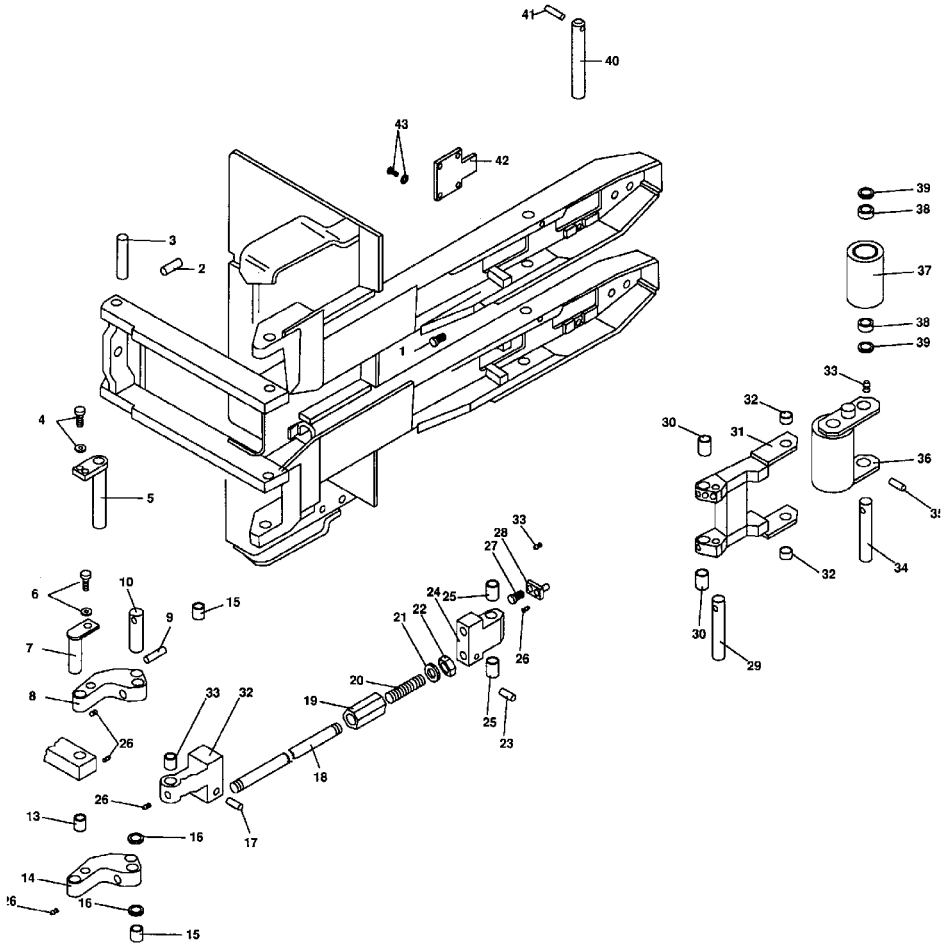


CLASS III TRUCK PARTS Crown



Identify lift linkage 7" fork parts for

Crown PR3020-60



## Crown PR3020-60

### LIFT LINKAGE 7" FORK

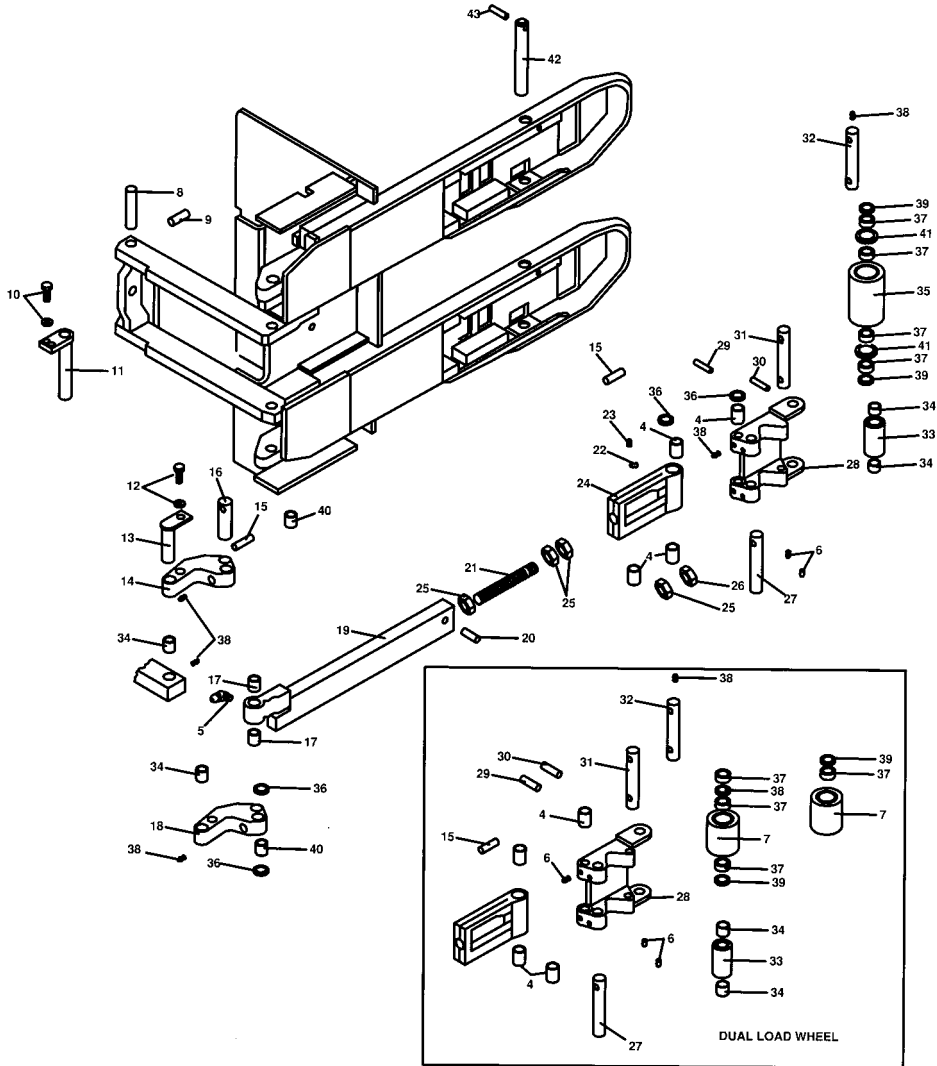
Item #	Part #	Description
1	002 60005-009	Flatwasher
1	—	Nut
1	—	Lockwasher
1	—	Screw
2	000 1218-0824	Roll Pin
3	000 757-1083	Pin 2.690" x .750"
4	002 60005-009	Lockwasher
4	000 1000-06016	Screw
5	000 758-1112	Axle 7.300" x 1.000"
6	002 60005-009	Lockwasher
6	000 1000-06016	Screw
7	000 757-1024	Shaft
8	000 759-1023	Inboard Link (includes bushing)
9	—	Roll Pin
10	000 758-1061	Axle
11	000 1430-9029	Bushing
12	000 760-1021	Tension End Bar-22" Fork Spread
12	000 760-1022	Tension End Bar Left 27" Fork Spread & Right 18" Fork Spread
12	—	Tension Bar End-Left 18" Fork Spread & Right 27" Fork Spread
13	000 1430-9027	Bushing
14	000 759-1022	Outboard Link (includes bushing)
15	000 1430-9028	Bushing
16	000 1069-1054	Flatwasher
17	000 1218-0824	Roll Pin
18	Call Tech Support	Tension Bar
19	—	Nut-Special
20	—	Adhesive Threadlocker

Item #	Part #	Description
20	000 760-1026	Threaded Rod
21	—	Lockwasher
22	000 1026-0014	Nut
23	000 1218-0824	Roll Pin
24	000 760-1018	Tension End Bar w/o bearings
24	000 760-1020	Tension End Bar-18" & 27" Fork Spread
24	000 760-1023	Tension End Bar-22" (559mm) Fork Spread
25	BS-1312	Bushing
26	000 1231-1035	Lube Fitting
27	—	Screw
28	000 757-4056	Pin
29	000 758-1193	Riser Shaft
30	000 1430-11417	Bearing
31	000 763-1038	Riser
32	—	Bearing
33	000 1231-1035	Lube Fitting
34	000 758-1078	Load Wheel Axle 4.200" x .984"
35	000 1217-1056	Roll Pin
36	000 889-1010	Side Plate
37	000 593-1033	Poly Load Wheel (Standard 92A)
37	000 593-1033-C	Poly Load Wheel (Hyload 92A)
37	000 593-1033HL	Load Wheel Assembly (includes bearing)
38	000 1426-1633	Load Wheel Bearing
39	000 1069-1054	Flatwasher
40	000 758-1083	Shaft
41	000 1218-0824	Roll Pin
42	—	Cover
43	—	Screw



Identify lift linkage single axle 9" x 10" fork parts for  
Crown PR3020-60

  
**CLASS III TRUCK PARTS**  
Crown



**Crown PR3020-60**

**LIFT LINKAGE SINGLE AXLE 9" & 10" FORK**

Item #	Part #	Description
1	002 60005-009	Flatwasher
1	—	Lockwasher
1	—	Screw 3/8"
2	000 1218-0824	Roll Pin
3	000 757-1083	Pin 2.690" x .750"
4	002 60005-009	Lockwasher
4	—	Screw 3/8"
5	000 1232-3015	Lube Fitting
6	000 1069-1054	Flatwasher
7	000 593-1033	Dual Load Wheel (Standard 92A)
7	000 593-1033	Dual Load Wheel (Soft Ride 85A)
7	000 593-1033HL	Dual Load Wheel (Hyload 97A)
8	000 757-1083	Pin 2.690" x .750"
9	000 1218-0824	Roll Pin
10	002 60005-009	Lockwasher
11	000 758-1112	Inboard Link Axle
12	002 60005-009	Lockwasher
13	000 757-1024	Inboard Link Shaft
14	000 759-1023	Inboard Link
15	—	Roll Pin
16	000 758-1061	Outboard Link Axle
17	000 1430-9029	Bushing
18	000 759-1022	Outboard Link (includes bushing)
19	—	Call Tech Support
20	—	Roll Pin

Item #	Part #	Description
21	000 760-1013K	Tenon Kit-6.69 / 7.94" Battery
21	000 760-1014K	Tenon Kit-13.19" Battery
22	000 1231-1035	Lube Fitting
23	—	Lube Fitting
24	000 760-1008	Tension Bar End
25	000 1026-1015	Jam Nut
26	000 1051-0008	Nut
27	000 758-1026	Riser Axle
28	000 825-1503	Riser
29	000 1218-0824	Roll Pin
30	000 1217-1056	Roll Pin
31	000 758-1025	Roller Axle
32	000 758-1023	Load Wheel Axle 8.00" x .983"
33	000 761-1007	Roller
34	000 1430-9028	Bushing
35	000 593-1068	Poly Load Wheel (Standard 92A)
35	000 593-1068HL	Poly Load Wheel (Hyload 97A)
36	000 1069-1054	Flatwasher
37	000 1426-1633	Bearing
38	000 1231-1035	Lube Fitting
39	000 1069-1054	Flatwasher
40	000 1430-9028	Bushing
41	000 762-1027	Spacer
42	000 758-1024	Axle 9.000" x 1.000"
43	000 1218-0832	Roll Pin

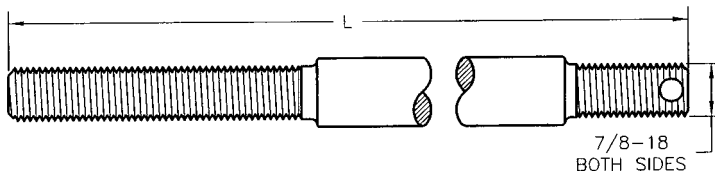


**CLASS III TRUCK PARTS**  
Crown



1

**PULL RODS**



Part #	Dimension L	Part #	Dimension L
000 760-1045	27.720"	000 760-1077	32.060"
000 760-1046	33.720"	000 760-1078	44.060"
000 760-1034	39.720"	000 760-1051	62.060"
000 760-1047	45.720"	000 760-1052	68.060"
000 760-1075	51.720"	000 760-1079	80.060"
000 760-1048	63.720"	000 760-1035	47.720"
000 760-1049	69.720"	000 760-1080	65.720"
000 760-1076	81.720"	000 760-1025	83.720"
000 760-1050	93.720"	000 760-1053	67.060"

2

**TENSION BARS**



PULL ROD TYPE I



PULL ROD TYPE H

Part #	Dimension L	Type	Part #	Dimension L	Type
000 760-1055	33.250"	H	000 760-1056	33.250"	I
000 760-1010	34.375"	H	000 760-1033	34.375"	I
000 760-1028	37.375"	H	000 760-1027	37.375"	I
000 760-1032	39.125"	H	000 760-1031	39.125"	I
000 760-1030	59.125"	H	000 760-1029	59.125"	I
000 760-1058	60.385"	H	000 760-1057	60.385"	I
000 760-1062	87.125"	H	000 760-1063	87.125"	I
000 760-1068	59.125"	H	000 760-7067	59.125"	I



**000 760-1002**

1



**PULL ROD**

Overall Length ..... 24.000"

**000 760-1016**

2



**PULL ROD**

Overall Length ..... 36.000"

**000 760-1024**

3



**PULL ROD**

Overall Length ..... 44.060"

**000 760-1080**

4



**PULL ROD**

Overall Length ..... 65.720"

**000 758-1070**

5



**NEW**  
Catalog Item!

**SHAFT WITH TORSION BAR**

Overall Length ..... 5.090"  
O.D. .... .7500"

**000 758-1301**

6



**NEW**  
Catalog Item!

**SHAFT WITHOUT TORSION BAR**

Overall Length ..... 4.480"  
O.D. .... .7500"

**000 760-1001**

7



**TENSION BAR END**

**000 760-1003**

8



**TENSION BAR END**





**CLASS III TRUCK PARTS**

Crown replacement parts

1

000 760-1004



TENSION BAR END

2

000 760-1005



TENSION BAR END

3

000 760-1008



TENSION BAR END

4

000 760-1018



TENSION BAR END

5

000 760-1019



TENSION BAR END

6

000 760-1020



TENSION BAR END

7

000 760-1021



TENSION BAR END

8

000 760-1022



TENSION BAR END

000 760-1023

1



TENSION BAR END

000 760-1040

2



TENSION BAR END

000 760-1013K

3



**NEW**  
Catalog Item!

TENON KIT

Overall Length ..... 6.69"/7.94" Battery

000 760-1014K

3



**NEW**  
Catalog Item!

TENON KIT

Overall Length ..... 13.190" Battery

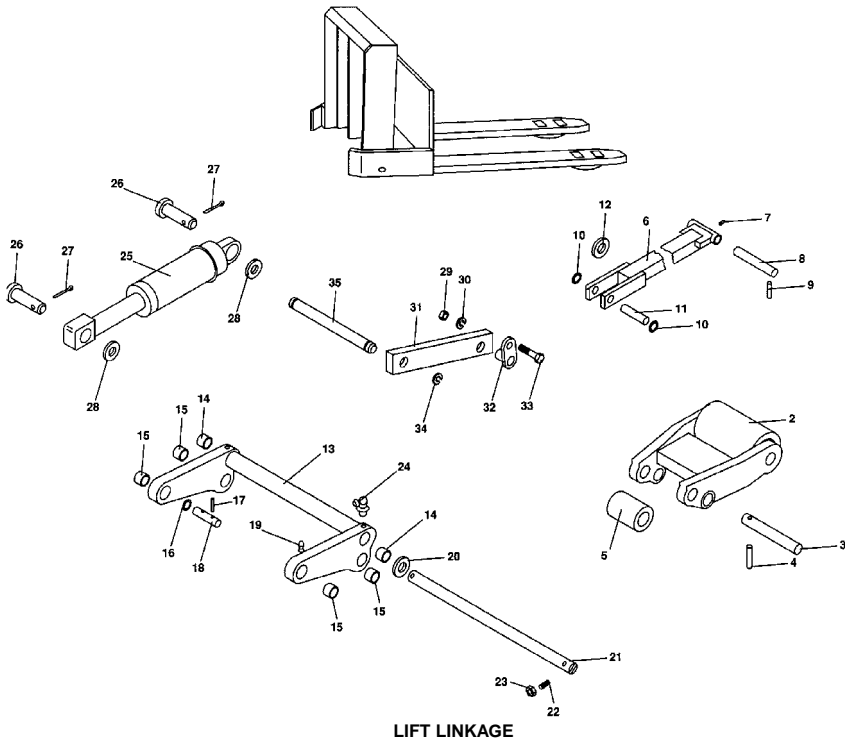


**CLASS III TRUCK PARTS** Crown replacement parts



Identify lift linkage parts for

Hyster W40XT

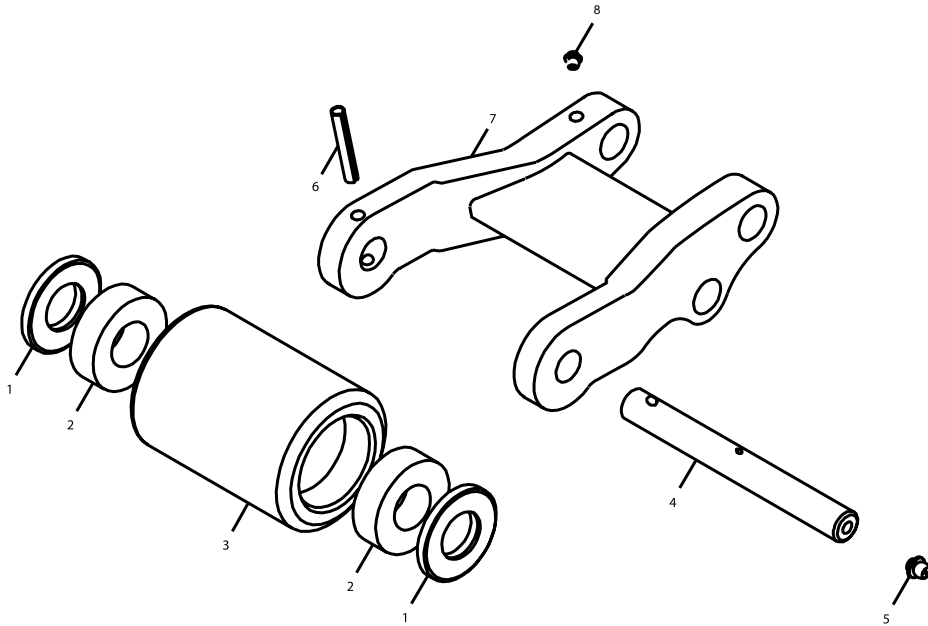


LIFT LINKAGE

Item #	Part #	Description
1	—	Frame & Pallet Fork Weldment
2	000 774-2000	Bellcrank w/poly wheel
3	000 1218-1273	Roller Pin
4	000 1218-0820	Roll Pin
5	000 1218-1276	Roller
6	—	Compression Rod
7	000 1231-1035	Lube Fitting
8	000 514-1002	Compression Rod Pin (Rear)
9	000 1218-0820	Roll Pin
10	—	Ret Ring
11	000 757-1060	Compression Rod Pin (Front) 3.000" x .871"
12	—	Spacer
13	000 763-1072	Bellcrank 27" Wide Fork
13	000 763-1073	Bellcrank 20-3/4" Wide Fork
14	000 1430-9368	Bushing
15	000 1430-9397	Bushing
16	—	Shim
17	000 1218-0832	Roll Pin

Item #	Part #	Description
18	000 757-4041	Pin
19	000 1231-1035	Lube Fitting
20	—	Shim
21	000 757-1213	Bellcrank Pin 27"
21	000 757-1214	Bellcrank Pin 20-3/4"
22	—	Set Screw 5/16"-18 x 1-1/4" Long
23	—	Jam Nut 5/16"-18"
25	—	Lift Cylinder
26	—	Lift Cylinder Pin (Both ends)
27	—	Cotter Pin
28	—	Washer
29	000 1019-0005	Hex Nut
30	000 1062-0004	Lockwasher
31	000 759-1000	Link
32	000 757-4045	Pin Assembly
33	000 1000-05016	Hex Head Screw
34	000 1308-0062	Retaining Ring
35	000 757-4044	Pin

Identify single load wheel assembly parts for  
Hyster W40XT



SINGLE LOAD WHEEL ASSEMBLY

Item #	Part #	Description
1	003 650552	Bearing washer
2	000 1426-1630	Ball Bearing
3	000 593-2578	Poly Wheel
3	000 5000-2144	Steel Wheel
4	000 774-1078	Axle (Standard) 5.690" x .669"
4	000 758-1286	Axle (Freezer Corrosion) 5.690" x .669"

Item #	Part #	Description
5	000 1231-2084	Lube Fitting
6	000 1218-0822	Roll Pin
7	000 755-7000	Bellcrank
8	000 1231-1035	Lube Fitting

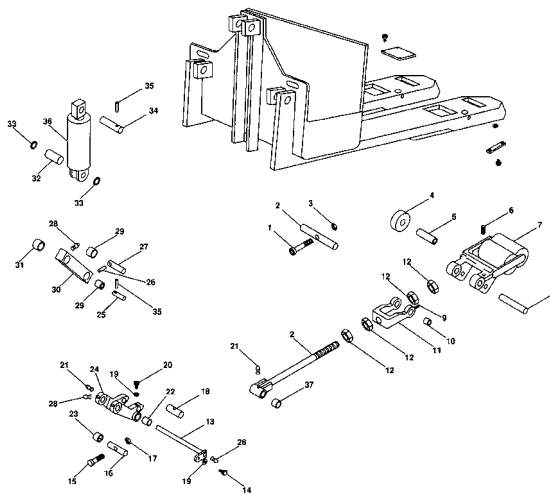


CLASS III TRUCK PARTS Hyster



Identify lift linkage parts for

Hyster B60-80XT, C60-80XT, W60-80XT

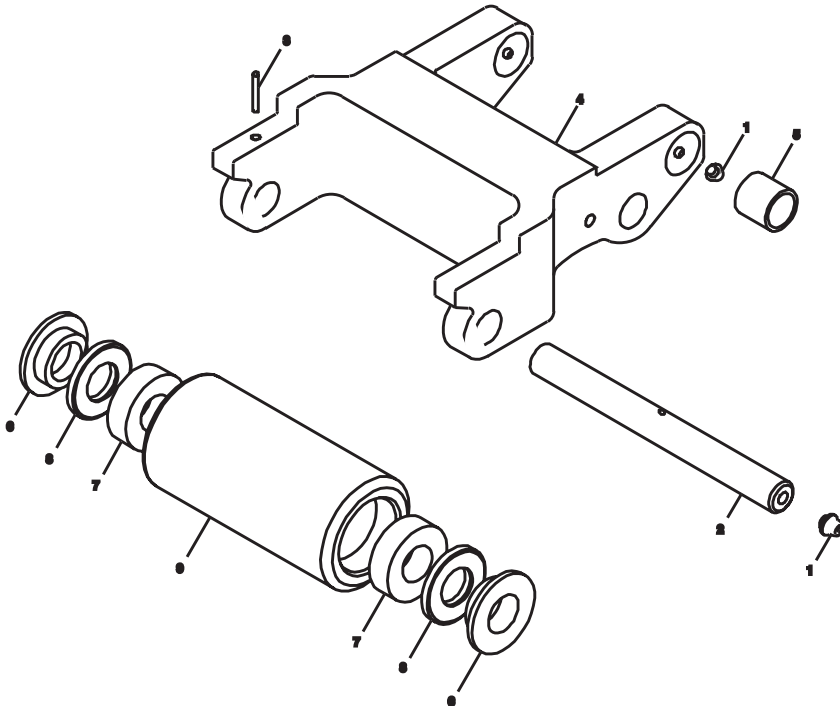


LIFT LINKAGE

Item #	Part #	Description
1	—	Screw
2	000 758-1010	Pivot Shaft (Standard) 8.870" x .750"
2	000 757-1041	Pivot Shaft (Freezer Corrosion) 8.870" x .750"
3	—	Locknut 10-24
4	000 761-1016	Roller
5	000 762-1001	Spacer
6	—	Set Screw
7	See Page 7.31	Load Wheel Assembly-Single
8	000 757-1193	Pivot Shaft 6.550" x .871"
9	000 1231-2084	Lube Fitting
10	000 1430-9052	Bushing
11	000 756-1003	Yoke Assy
12	000 1026-0014	Jam Nut
13	000 757-1023	Pin Weldment 27" (Standard)
13	000 757-1028	Pin Weldment 22" (Standard)
13	000 757-1069	Pin Weldment 27" (Freezer Corrosion)
14	000 1000-06012	Hex Head Screw
15	—	Capscrew
16	003 5018392-06	Pivot Pin-Drive Frame End (Standard) 4.750" x .872"
16	000 757-1010	Pivot Pin-Drive Frame End (Freezer Corrosion) 4.750" x .872"
17	—	Locknut 1/4-20

Item #	Part #	Description
18	000 757-1027	Pivot Pin (Standard)
18	000 757-1040	Pivot Pin (Freezer Corrosion)
19	000 1062-0006	Lockwasher
20	000 1000-06016	Screw
21	000 1232-3015	Lube Fitting
22	000 1430-11416	Bushing
23	000 1430-9052	Bushing
24	000 763-1007	Rocker Arm w/bushings
25	000 757-1037	Pivot Pin (Standard) 2.380" x .872"
25	000 757-1009	Pivot Pin (Freezer Corrosion) 2.380" x .872"
26	000 1218-0824	Roll Pin
27	000 757-1043	Pivot Pin (Standard)
27	000 757-1002	Pivot Pin (Freezer Corrosion)
28	000 1231-1035	Lube Fitting
29	000 1430-9032	Bushing
30	000 759-1001	Upper Link w/bushings
31	000 1430-9016	Bushing
32	000 757-1012	Lower Pin
33	000 1308-1020	Retaining Ring
34	000 757-1015	Upper Pin
35	000 1218-0832	Roll Pin
36	—	Lift Cylinder
37	000 1430-11416	Bushing
38	—	Tension Rod
39	—	Frame & Fork Weldment

Identify single load wheel assembly parts for  
Hyster B60-80XT, C60-80XT, W60-80XT



SINGLE LOAD WHEEL ASSEMBLY

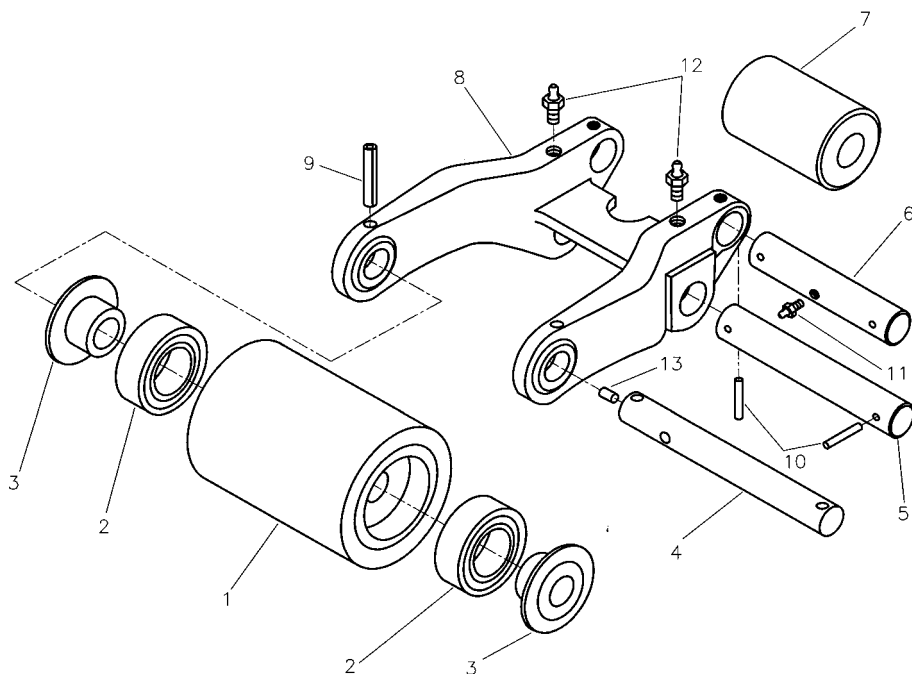
Item #	Part #	Description
—	—	Poly Load Wheel Assembly
1	000 1231-1084	Lube Fitting
2	000 758-1206	Axle
3	—	Roll Pin
4	—	Support

Item #	Part #	Description
5	000 1430-11216	Bushing
6	—	Guard
7	000 1426-1708	Bearing
8	000 1069-1056	Wave Washer
9	000 593-2059	Poly Wheel





Identify single load wheel assembly parts for  
Hyster W40 - 45Z



SINGLE LOAD WHEEL ASSEMBLY

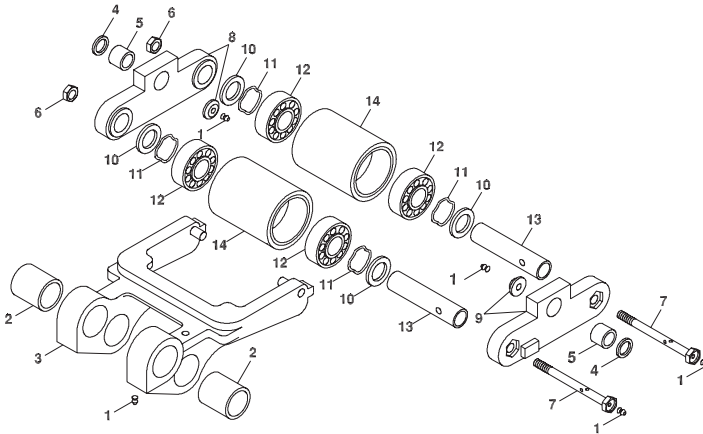
Item #	Part #	Description
1	000 593-1346	Load Wheel
2	000 1426-1708	Ball Bearing
3	000 762-1055	Bushing
4	000 758-1325	Axle
5	000 757-1250	Pivot Pin
6	000 757-1251	Pivot Pin
7	000 1218-1276	Roller

Item #	Part #	Description
8	000 763-1095	Link
9	000 1218-1303	Roll Pin
10	000 1218-1304	Roll Pin
11	000 1231-1055	Grease Fitting
12	000 1231-2090	Grease Fitting
13	000 1231-2091	Grease Fitting

1

Identify tandem load wheel assembly parts for

**Hyster B60-80XT, C60-80XT, W60-80XT**



TANDEM LOAD WHEEL ASSEMBLY

Item #	Part #	Description
1	000 1231-1084	Grease Fitting
2	000 1430-11216	Bushing-Support
3	000 763-1018	Support
4	—	Shim - 1.5mm
5	000 1430-31212	Bushing- Bracket
6	000 1044-1013	Nut
7	001 349997	Axle-Load Wheel
7	—	Cap Screw
8	000 763-1035	Bracket

Item #	Part #	Description
8	—	Plug
9	000 763-1034	Bracket
9	—	Plug
10	—	Washer
11	000 1044-1018	Wave Washer
12	000 1426-1708	Bearing-Load Wheel Axle
13	001 350551	Axle Sleeve-Load Wheel
14	000 593-1041	Load Wheel

**Hyster Replacement Parts**

2

**000 758-1263**



**STEER HANDLE SHAFT**

Overall Length ..... 15.840"  
O.D. .... .750"

3

**000 763-1081**



**NEW**  
Catalog Item!

**WHEEL SUPPORT**

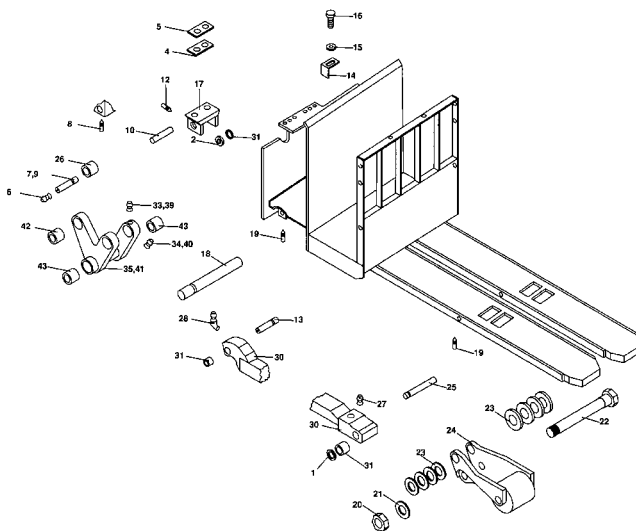
**CLASS III TRUCK PARTS**  
Hyster replacement parts





Identify 6000 lb. lift linkage parts for

Raymond 111,112,113,114



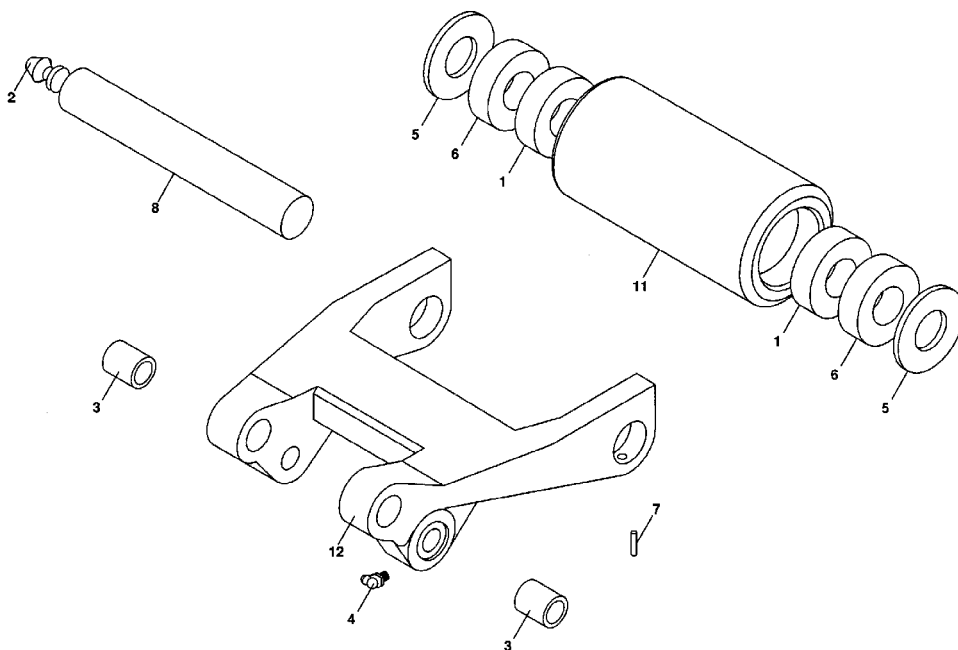
6,000 LB. LIFT LINKAGE

Item #	Part #	Description
1	000 762-1045	Spacer
2	—	Washer
3	000 1308-1000	Snap Ring
4	000 790-2864	Pivot Cylinder Shim 1/8"
5	000 790-2863	Pivot Cylinder Shim 1/4"
6	000 1231-1035	Lube Fitting
7	000 758-1130	Truck Link Shaft 24"
8	—	Set Screw 5/16-18 x 5/8"
9	000 758-1249	Truck Link Shaft 22" / 27"
10	000 757-1157	Cylinder Pivot Pin
11	—	Fork and Platform Weldment
12	—	Set screw 1/4-20 x 1/2"
13	000 758-1029	Rear Link Shaft
14	—	Switch Actuator
15	000 1062-0008	Lockwasher
16	—	Hex Head Cap Screw 1/2-13 x 1-1/4"
17	—	Clevis Machining
18	000 758-1030	Rear Fork Shaft
19	000 1183-1102	Screw
20	—	Hex Nut 5/8-18
21	—	Lockwasher 5/8"
22	000 791-2713	Eccentric Pin
23	—	Washer
24	See Page 7.35	Load Wheel Assembly (Full Wheel)

Item #	Part #	Description
24	See Page 7.40	Load Wheel Assembly (Split Wheel)
25	000 758-1028	Shaft, Front Fork R
26	—	Bushing
27	000 1231-1035	Lube Fitting
28	000 1232-4500	Lube Fitting
29	000 1431-4086	Bushing
30	—	Pull Rod
31	000 1431-4067	Bushing
32	—	Pull Sub-Assembly (includes Items 26-31)
33	000 1183-1102	Set Screw
34	000 1232-4500	Lube Fitting
35	000 763-1010	Bellcrank LH
36	000 1431-4089	Bushing
37	000 1431-4087	Bushing
38	000 763-1046	Bellcrank Sub-Assembly LH
39	000 1183-1102	Set screw
40	000 1232-4500	Lube Fitting
41	000 763-1011	Bellcrank RH
42	000 1431-4089	Bushing
43	000 1431-4087	Bushing
44	000 763-1047	Bellcrank Sub-Assembly RH



**Identify 6000–8000 lb. single load wheel assembly parts for  
Raymond 111,112,113,114**



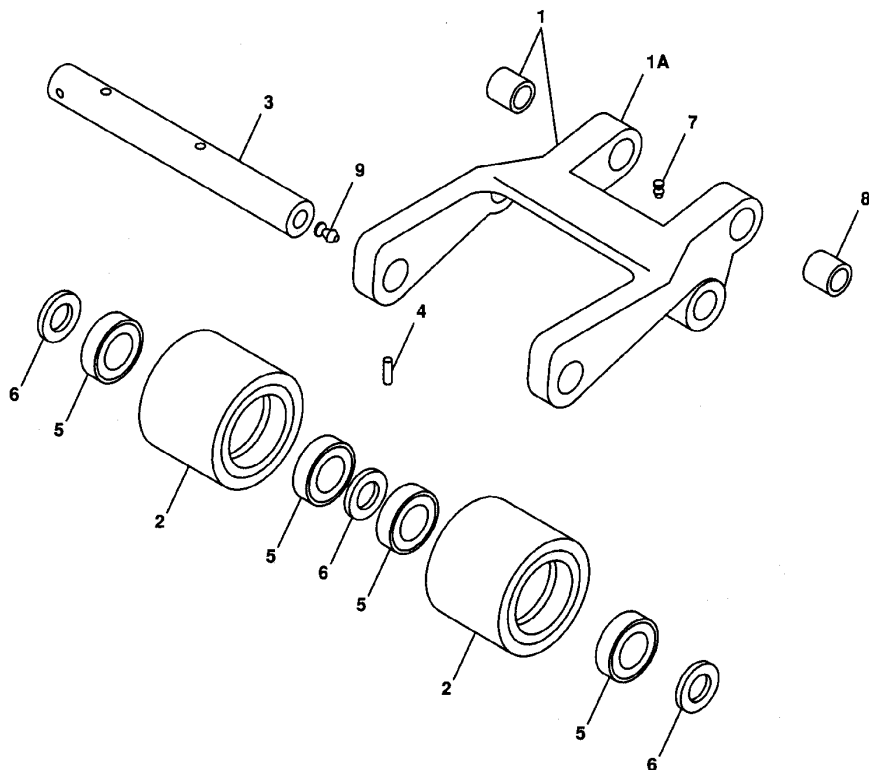
**6,000-8,000 LB. SINGLE LOAD WHEEL ASSEMBLY**

Item #	Part #	Description
1	000 1426-1424	Bearing
2	000 1231-1035	Lube Fitting
3	000 1431-4083	Bushing
3	000 1431-4085	Bushing (6,000 lb truck)
4	000 1232-4500	Lube Fitting
5	000 1069-1060	Flatwasher
6	000 1426-1708	Ball Bearing
7	000 1217-1056	Roll Pin
8	000 758-1118	Wheel Shaft
11	000 593-1318	Poly Wheel (Standard)
11	—	Poly Load Wheel (Cast Iron Hub) Neutral-Medium
11	—	Poly Load Wheel (Aluminum Hub) Neutral-Medium

Item #	Part #	Description
11	—	Poly Load Wheel (Aluminum Hub) Neutral-Medium
11	—	Poly Load Wheel (Aluminum Hub) Black-Hard
11	000 593-1318-HL	Poly Wheel (Hyload)
11	000 593-1318-HL	Poly Load Wheel (Aluminum Hub) Tan-Hard
12	000 763-1042	Riser Assembly (6,000 lb. truck includes Items 3 and 12)
12	000 763-1043	Riser (6,000 lb truck)
12	000 763-1045	Riser (8,000 lb truck)



Identify 6000 lb. split load wheel assembly parts for  
**Raymond 111,112,113,114**



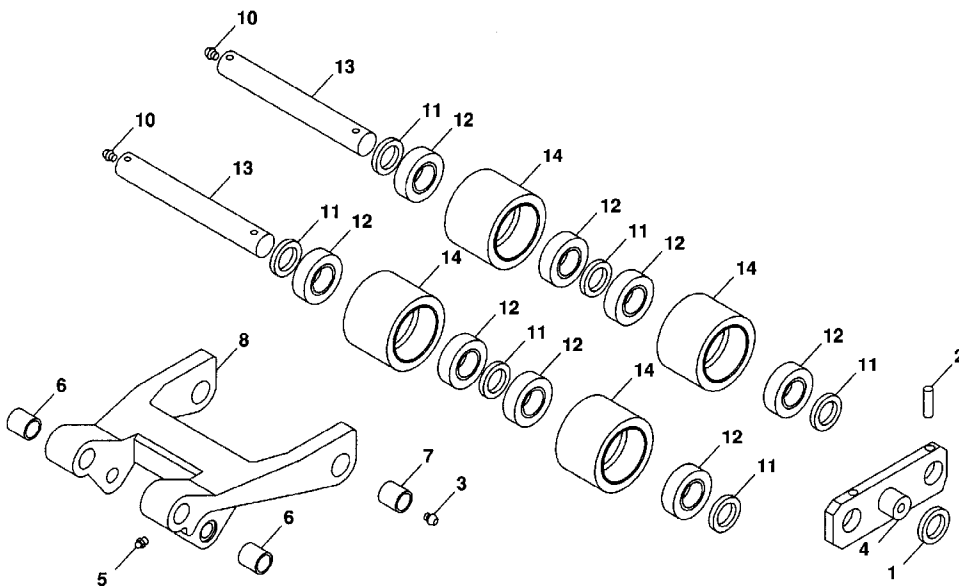
**6,000 LB. SPLIT LOAD WHEEL ASSEMBLY**

Item #	Part #	Description
1	000 763-1042	Riser Assembly (includes items 1A and 8)
1A	000 763-1043	Riser
2	—	Poly Load Wheel (Red/Orange-Soft)
2	—	Poly Load Wheel (Tan/Red-Brown-Medium)
2	—	Poly Load Wheel (Black-Hard)

Item #	Part #	Description
2	—	Poly Load Wheel (Tan-Hard)
3	000 758-1221	Wheel Shaft
4	000 1217-1056	Roll Pin
5	000 1426-1708	Ball Bearing
6	000 1069-1060	Flatwasher
7	000 1232-4500	Lube Fitting
8	000 1431-4089	Bushing
9	000 1231-2084	Lube Fitting



**Identify 6000 lb. split tandem load wheel assembly parts for  
Raymond 111,112,113,114**



**6,000 LB. SPLIT TANDEM LOAD WHEEL ASSEMBLY**

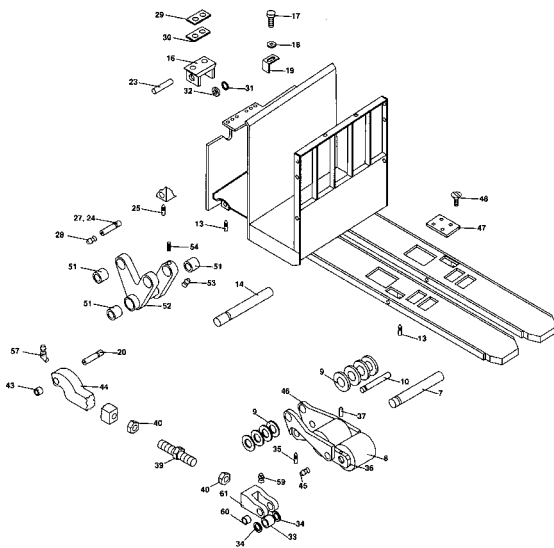
Item #	Part #	Description
1*	000 762-1046	Spacer
2*	000 757-1194	Roll Pin
3*	000 1231-2084	Lube Fitting
4*	000 767-1006	Tandem Pivot Weldment
5*	000 1232-4500	Lube Fitting
6	000 1431-4083	Bushing
7	000 1431-3005	Bushing
8	000 763-1044	Riser Kit (includes items with *)
10*	000 1231-2084	Lube Fitting
11*	000 1069-1060	Washer
12	000 1426-1708	Bearing
13	000 758-1237	Wheel Shaft
14	000 593-1317	Poly Load Wheel (Standard Black-Hard)

Item #	Part #	Description
14	000 593-1317-HL	Poly Load Wheel (Hyload Tan-Hard)
14	—	Poly Load Wheel (Neutral-Medium)
—	—	Tandem 8000 Lb. Full Wheel (Not Shown)
—	—	Poly Wheel
—	—	Bar
—	—	Bearing
—	000 1069-1060	Washer
—	000 1426-1708	Bearing
—	000 758-1236	Wheel Shaft



Identify 8000 lb. lift linkage parts for

Raymond 112



Item #	Part #	Description
1	—	Fork and Platform
4	—	Bellcrank Sub-Assembly RH
5	—	Bellcrank Sub-Assembly LH
6	—	Pull Sub-Assembly (includes: 6A-6F)
7	000 758-1218	Front Shaft
8	—	Load Wheel Assembly 8000 lb (Split Wheel)
9	—	Washer
10	000 757-1182	Pull Rod Pin
13	000 1183-1102	Set Screw
14	000 758-1245	Rear Shaft
16	—	Clevis Machining
20	000 758-1275	Rear Link Shaft
23	000 757-1157	Cylinder Pivot Pin
24	000 758-1249	Truck Link Shaft 22/27"
25	—	Set Screw 5/16"-18 x 5/8"
27	000 758-1130	Truck Link Shaft 24"
28	000 1231-1035	Lube Fitting
29	000 790-2863	Pivot Cylinder Shim 1/4
30	000 790-2864	Pivot Cylinder Shim 1/8
31	000 1308-1000	Snap Ring
32	—	Washer
33	—	Pull Rod Spacer
34	—	Flatwasher
35	—	Screw

Item #	Part #	Description
36	—	Tandem Pivot Weldment
37	000 757-1194	Pin
39	—	Pull Rod Adjuster
40	—	Nut
41	000 1232-2000	Lube Fitting
43	000 1431-4087	Bushing
44	—	Pull Rod
45	000 1231-2084	Lube Fitting
46	000 763-1044	Riser Kit
47	—	Cover Plate
48	—	Screw
49	000 1069-1060	Flatwasher
50	000 762-1046	Spacer (Not Shown)
51	000 1431-4089	Bushing
52	000 763-1011	Bellcrank RH
53	000 1232-2000	Lube Fitting
54	000 1183-1102	Set screw
55	000 1431-4089	Bushing
56	000 763-1010	Bellcrank LH
57	000 1232-2000	Lube Fitting
58	—	Pull Rod Fork Assembly (Not Shown) (includes 59-61)
59	—	Lube Fitting
60	000 1431-4086	Bushing
61	—	Rod, Pull Fork Assembly



**000 763-1042**

1



**RISER ASSEMBLY**

Includes . . . . . Sleeve Bearings

**000 758-1273**

2



**FRONT FORK SHAFT**

Overall Length . . . . . 8.500"  
O.D. . . . . . .707"

**000 758-1274**

3



**AXLE**

Overall Length . . . . . 6.200"  
O.D. . . . . .984"

**000 758-1292**

4

**NEW**  
Catalog Item!



**ROLLER SHAFT**

Overall Length . . . . . 3.760"  
O.D. . . . . .8650"

**000 758-1293**

5

**NEW**  
Catalog Item!



**ROLLER SHAFT**

Overall Length . . . . . 3.760"  
O.D. . . . . .8650"

**000 758-1294**

6

**NEW**  
Catalog Item!



**ROLLER SHAFT**

Overall Length . . . . . 3.760"  
O.D. . . . . .8650"

**000 758-1304**

7

**NEW**  
Catalog Item!



**ROLLER SHAFT**

Overall Length . . . . . 3.510"  
O.D. . . . . .8650"

**000 758-1306**

8

**NEW**  
Catalog Item!



**PIVOT SHAFT**

Overall Length . . . . . 4.690"  
O.D. . . . . .7860"

**000 758-1314**

9

**NEW**  
Catalog Item!



**BRAKE LEVER SHAFT**

Overall Length . . . . . 5.420"  
O.D. . . . . .6250"

**000 758-1315**

10

**NEW**  
Catalog Item!



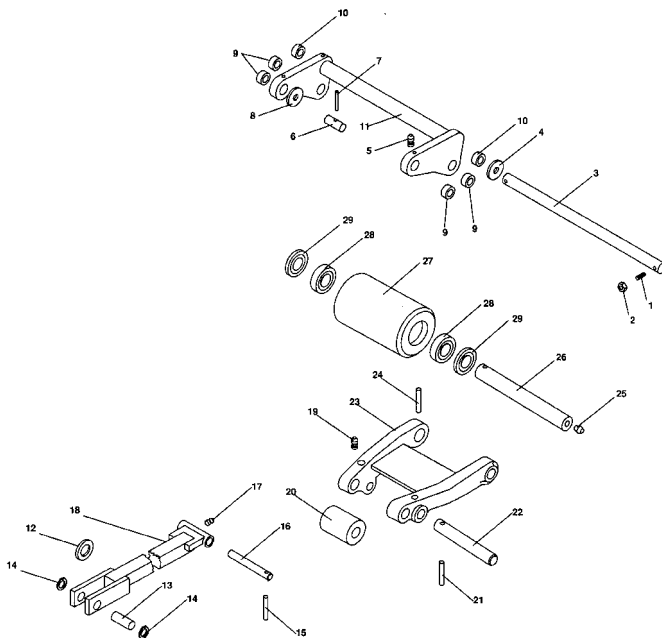
**SHAFT REAR LINK**

Overall Length . . . . . 3.760"  
O.D. . . . . .8650"



Identify lift linkage & load wheel parts for

Yale MPB 040 AC



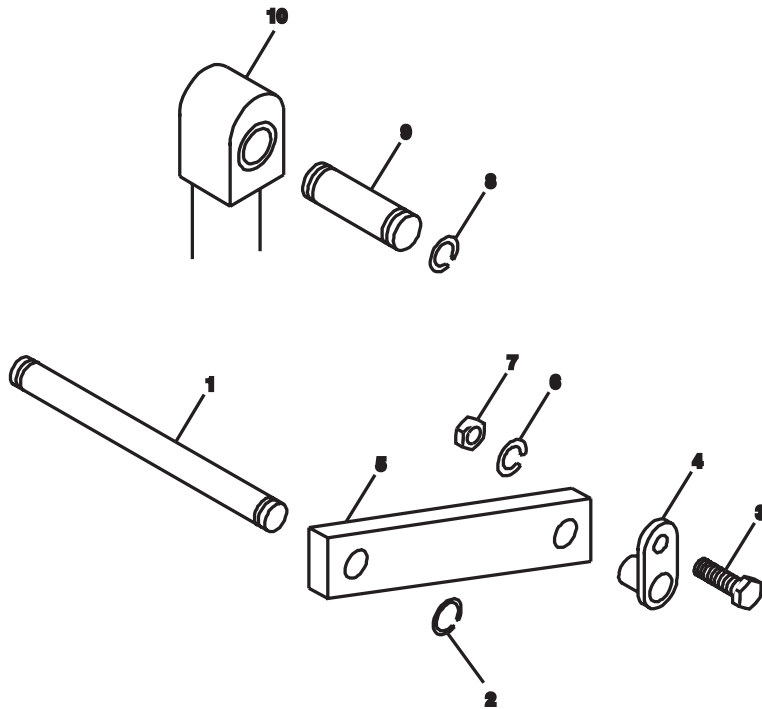
LIFT LINKAGE & LOAD WHEEL

Item #	Part #	Description
1	—	Jam Nut 5/16"-18"
2	—	Set Screw 5/16"-18 x 1-1/4" Long
3	000 757-1213	Bellcrank Pin 27"
3	000 757-1214	Bellcrank Pin 20-3/4"
4	—	Shim
5	000 1231-1035	Lube Fitting
6	000 757-4041	Pin
7	000 1218-0832	Roll Pin
8	—	Shim
9	003 6404341	Bushing
10	000 1430-9368	Bushing
11	000 763-1072	Bellcrank 27" Wide Fork
11	000 763-1073	Bellcrank 20-3/4" Wide Fork
12	—	Washer Spacer
13	000 757-1060	Compression Rod Pin (Front) 3.000" x .871"
14	—	Ret Ring
15	000 1218-0820	Roll Pin

Item #	Part #	Description
16	000 514-1002	Compression Rod Pin (Rear)
17	000 1231-1035	Lube Fitting
18	—	Compression Rod
19	000 1231-1035	Lube Fitting
20	000 1218-1276	Roller
21	000 1218-0820	Roll Pin
22	000 1218-1273	Roller Pin
23	000 755-7000	Bell crank
24	000 1218-0822	Roll Pin
25	000 1231-2084	Lube Fitting
26	000 774-1078	Axle (Standard) 5.690" x .669"
26	000 758-1286	Axle (Freezer Corrosion) 5.690" x .669"
27	000 593-2578	Poly Wheel
27	000 5000-2144	Steel Wheel
28	000 1426-1630	Ball Bearing
29	003 650552	Bearing washer
30	000 774-2000	Bellcrank w/poly wheel

Identify upper lift linkage parts for

Yale MPB 040 AC



Item #	Part #	Description
1	000 757-4044	Pin
2	000 1308-0062	Retaining Ring
3	000 1000-05016	Hex Head Screw
4	000 757-4045	Pin Assembly
5	000 759-1000	Link

Item #	Part #	Description
6	000 1062-0004	Lockwasher
7	000 1019-0005	Hex Nut
8	—	Retaining Ring
9	000 757-1060	Lift Cylinder Pin (Both ends)
10	—	Lift Cylinder



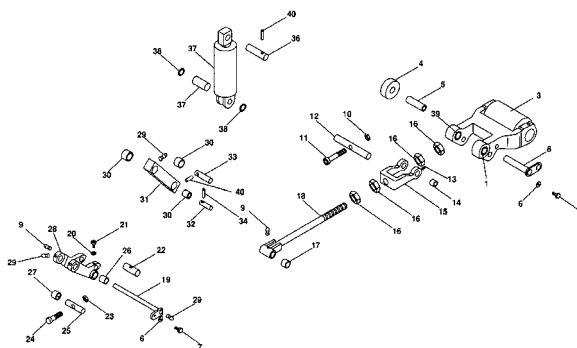
CLASS III TRUCK PARTS  
Yale





Identify lift linkage parts for

Yale MPE 060 LC/SC



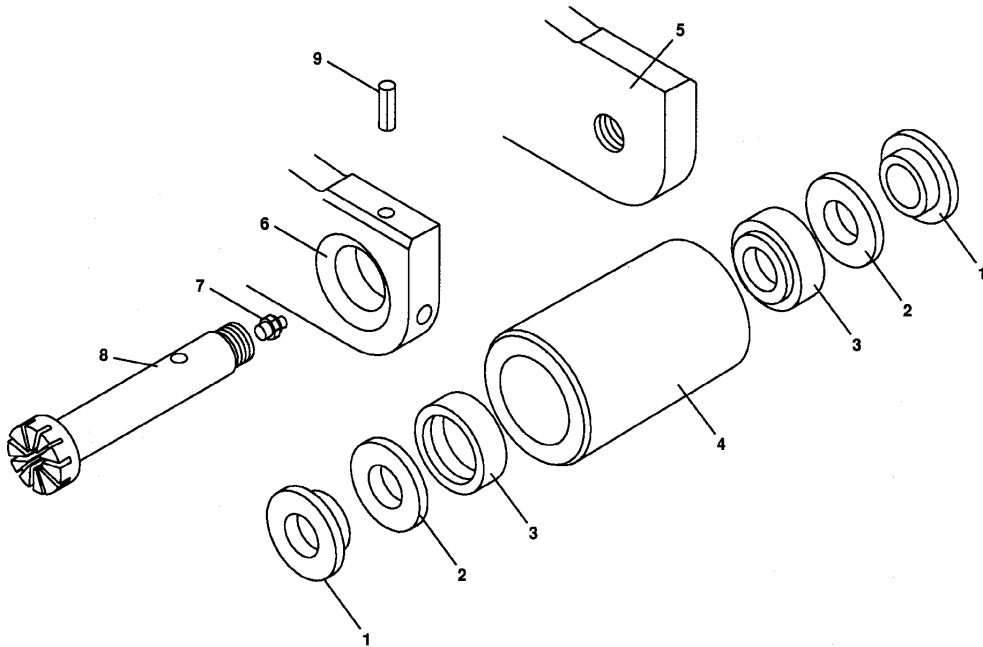
Item #	Part #	Description
1	000 1430-11216	Bushing
2	000 759-1013	Rear Link w/bushings
3	See Page 7.43	Load Wheel Assembly
4	000 761-1016	Roller
5	000 762-1001	Spacer
6	000 1062-0006	Lockwasher
7	000 1000-06012	Hex Head Screw
8	000 757-1022	Pivot Pin Weldment (Standard)
8	000 757-1070	Pivot Pin Weldment (Freezer Corrosion)
9	000 1232-3015	Lube Fitting
10	—	Locknut 10-24
11	—	Socket Head Screw 10-24 x 2-1/4" Long"
12	000 758-1010	Pivot Shaft (Standard) 8.870" x .750"
12	000 757-1041	Pivot Shaft (Freezer Corrosion) 8.870" x .750"
13	000 1231-2084	Lube Fitting
14	000 1430-9052	Bushing
15	000 756-1003	Yoke Assembly
16	000 1026-0014	Jam Nut
17	000 1430-11416	Bushing
18	See Below	Pull Rod Weldment
19	000 757-1023	Pin Weldment (Standard 27" OAW Fork Spread) 9.000" x .756"
19	000 757-1028	Pin Weldment (Standard 22" OAW Fork Spread)
19	000 757-1069	Pin Weldment (Freezer Corrosion 27" OAW Fork Spread)
19	000 757-1203	Pin Weldment (Freezer Corrosion 22" OAW Fork Spread)

Item #	Part #	Description
20	000 1062-0006	Lockwasher
21	000 1000-06016	Hex Head Screw
22	000 757-1027	Pivot Pin-Pull Rod (Standard) 4.650" x .872"
22	000 757-1040	Pivot Pin-Pull Rod (Freezer Corrosion) 4.650" x .872"
23	—	Locknut 1/4- 20
24	—	Cap Screw 1/4-20 x 2-1/2" Long
25	000 757-1148	Pivot Pin-Drive Frame End (Standard) 4.750" x .872"
25	000 757-1010	Pivot Pin-Drive Frame End (Freezer Corrosion) 4.750" x .872"
26	000 1430-11416	Bushing
27	000 1430-9052	Bushing
28	000 763-1007	Rocker Arm w/bushings
29	000 1231-1035	Lube Fitting
30	000 1430-9032	Bushing
31	000 759-1001	Upper Link w/bushings
32	000 757-1037	Pivot Pin (Standard) 2.380" x .872"
32	000 757-1009	Pivot Pin (Freezer Corrosion) 2.380" x .872"
33	000 757-1043	Pivot Pin (Standard)
33	000 757-1014	Pivot Pin (Freezer Corrosion)
34	000 1218-0824	Roll Pin
35	000 757-1012	Lower Pin (Standard)
36	000 757-1015	Upper Pin (Standard)
37	—	Lift Cylinder Assembly
38	000 1308-1020	Retaining Ring
39	000 1430-9016	Bushing
40	000 1218-0832	Roll Pin



Identify single load wheel assembly parts for

Yale MPE 060 LC/SC



SINGLE LOAD WHEEL ASSEMBLY

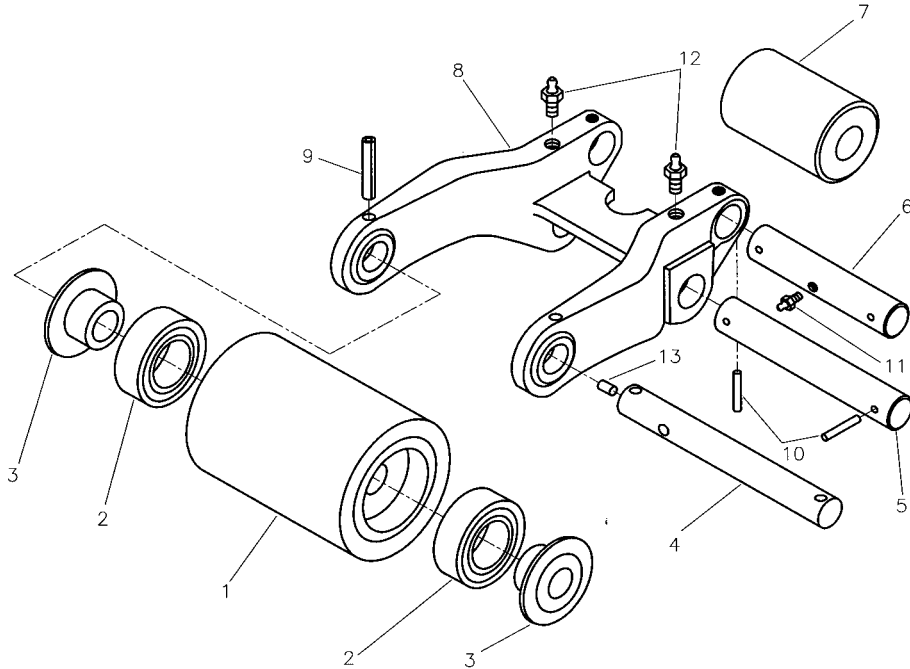
Item #	Part #	Description
1	000 762-1002	Spacer w/o-ring
1	000 762-1002Y	Spacer
2	000 1400-9274	Oil Seal
3	000 1425-8194	Bearing
4	000 593-1310	Poly Load Wheel
5	000 759-1013	Rear Axle Link

Item #	Part #	Description
6	000 1430-11216	Bushing
7	000 1231-1000	Lube Fitting
8	000 758-1009	Axle Shaft (Standard)
8	000 758-1145	Axle Shaft (Freezer Corrosion)
9	—	Roll Pin



Identify single load wheel assembly parts for

Yale MPB 040 - 045E



SINGLE LOAD WHEEL ASSEMBLY

Item #	Part #	Description
1	000 593-1346	Load Wheel
2	000 1426-1708	Ball Bearing
3	000 762-1055	Bushing
4	000 758-1325	Axle
5	000 757-1250	Pivot Pin
6	000 757-1251	Pivot Pin
7	000 1218-1276	Roller

Item #	Part #	Description
8	000 763-1095	Link
9	000 1218-1303	Roll Pin
10	000 1218-1304	Roll Pin
11	000 1231-1055	Grease Fitting
12	000 1231-2090	Grease Fitting
13	000 1231-2091	Grease Fitting



**CLASS III TRUCK PARTS**

Yale replacement parts

**000 566-1011**

1



**MOTOR PINION**

O.D. .... 1.065"  
Teeth ..... 14

**000 760-1017**

2



**PULL ROD**

Overall Length ..... 37.239"

**000 760-1007**

3



**PULL ROD**

Overall Length ..... 44.250"

**000 760-1011**

4



**PULL ROD**

Overall Length ..... 42.500"

**000 762-1224**

5



**PULL ROD**

Overall Length ..... 45.750"

**000 441-1002**

6



**ECCENTRIC SUPPORT**

**000 541-1003**

7



**INNER RACE**

**000 541-1004**

8



**OUTER RACE**

000 763-1081

1



**NEW**  
Catalog Item!

WHEEL SUPPORT



**CLASS III TRUCK PARTS**

Yale replacement parts

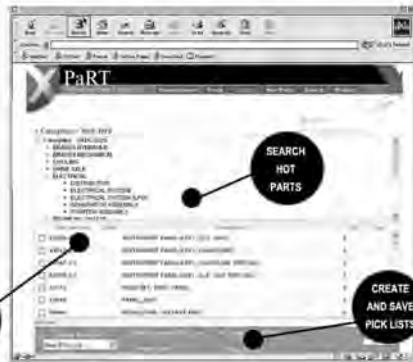
## XPaRT® Pro

is now online at [liftparts.com](http://liftparts.com)

XPaRT Pro is now online, and for only \$299\* per year. This exceptional value allows you to identify more than 12,000,000 parts, accessories and assemblies for major brands of forklift trucks by OEM make, model, serial number and/or lot number.

### Why use XPaRT Pro?

- Find lift truck parts faster
- Identify parts stocked by LPM
- Real-time updates online
- New manuals being added constantly
- Search an entire catalog in seconds



\*single location user. Multiple location user is \$499 per year